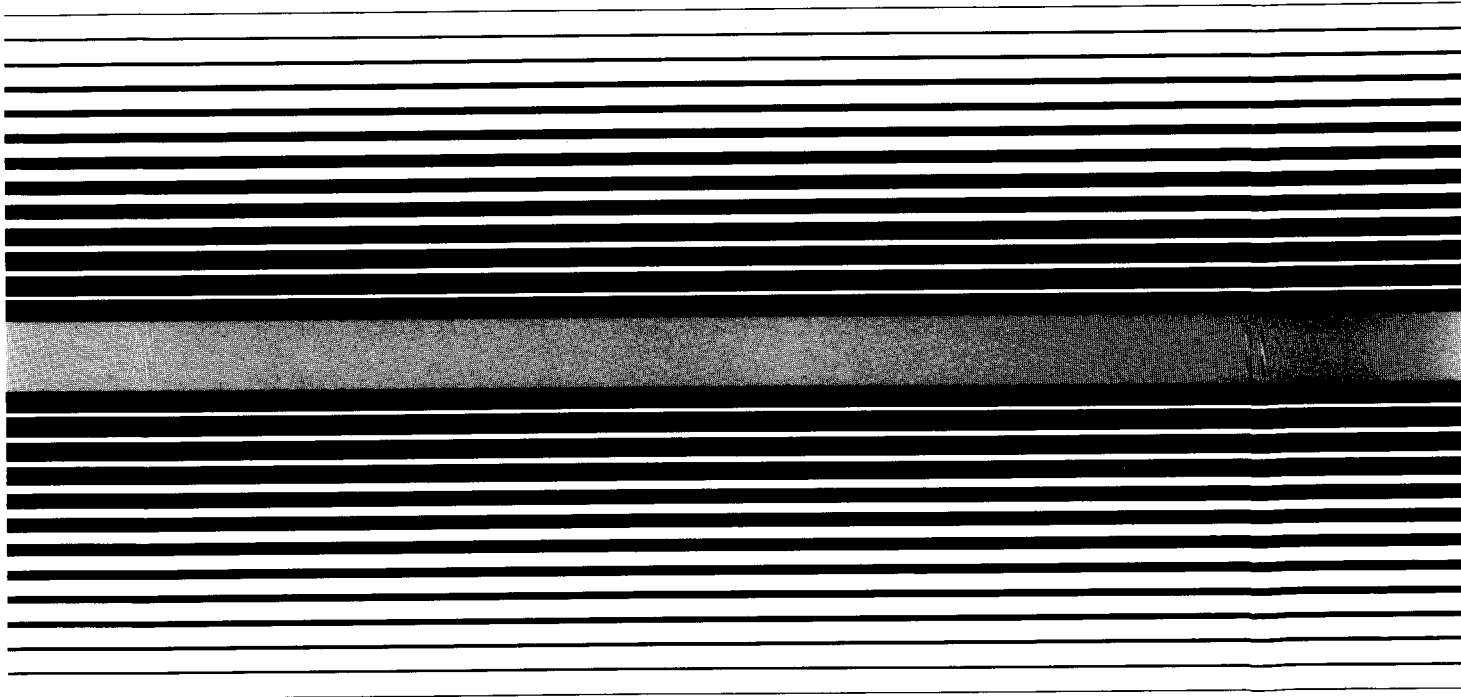
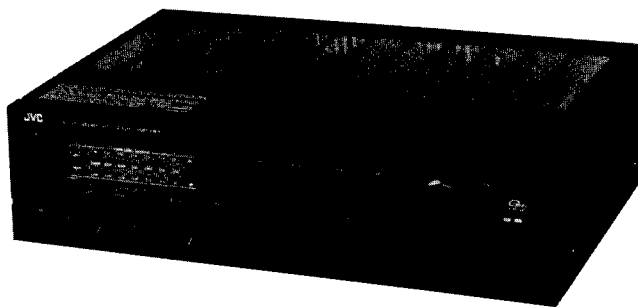


# JVC | Instruction Book

## STEREO INTEGRATED AMPLIFIER **AX-33BK**



BEDIENUNGSANLEITUNG: INTEGRIERTER STEREO-VERSTÄRKER  
 MANUEL D'INSTRUCTIONS: AMPLIFICATEUR STEREO INTEGRE  
 GEBRUIKSAANWIJZING: GEINTEGREERDE STEREO VERSTERKER  
 MANUAL DE INSTRUCCIONES: AMPLIFICADOR INTEGRADO ESTEREO



**COMPULINK**  
Component

**For Customer Use:**

Enter below the Model No. and Serial No. which is located either on the rear, bottom or side of the cabinet. Retain this information for future reference.

Model No. \_\_\_\_\_

Serial No. \_\_\_\_\_

E30580-1285A

**IMPORTANT (In the United Kingdom)  
Mains Supply (AC 240 V~, 50 Hz only)**

**IMPORTANT**

Do not make any connection to the Larger Terminal coded E or Green. The wires in the mains lead are coloured in accordance with following code:



If these colours do not correspond with the terminal identifications of your plug, connect as follows:

Blue wire to terminal coded N (Neutral) or coloured Black.

Brown wire to terminal coded L (Live) or coloured Red.

*If in doubt – consult a competent electrician.*

**WARNING: TO REDUCE THE RISK OF FIRE OR ELECTRIC SHOCK, DO NOT EXPOSE THIS APPLIANCE TO RAIN OR MOISTURE.**

**CAUTION**

To reduce the risk of electrical shocks, fire etc.:

1. Do not remove screws, covers or cabinet.
2. Do not expose this appliance to rain or moisture.

**ACHTUNG**

Um die Gefahr von Feuer oder Stromschlägen usw. zu verringern:

1. Keine Schrauben, Abdeckungen oder Gehäuse entfernen.
2. Das Gerät nicht Regen oder Feuchtigkeit aussetzen.

Thank you for purchasing this JVC product. Before you begin operating this unit, please read the instructions carefully to be sure you get the best possible performance. If you have any question, consult your JVC dealer.

Vielen Dank für den Kauf dieses JVC-Produkts. Bitte lesen Sie diese Bedienungsanleitung sorgfältig, bevor Sie dieses Gerät in Betrieb nehmen, um die beste Leistung zu erhalten. Falls Sie Fragen haben, wenden Sie sich bitte an Ihren JVC-Fachhändler.

**CONTENTS**

Important	1
Connection diagram	5
Front panel	9
COMPU LINK control system	11
Operation	
Listening to broadcasts	15
Listening to records	15
Listening to tapes	15
Using stereo headphones	17
Recording tapes	17
To record from other sources	
(TUNER, CD/AUX)	17
Tape dubbing	17
How to operate the monitor while recording on the tape deck	19
Use of S.E.A. Graphic Equalizer	19
Troubleshooting	19
Specifications	21

**INHALT**

Wichtig	1
Anschlussdiagramm	5
Frontplatte	9
COMPU LINK–Steuersystem	11
Bedienung	
Radio-Empfang	15
Abspielen von Schallplatten	15
Abspielen von Bändern	15
Benutzung der Kopfhörer	17
Aufnahmen von Bändern	17
Aufnahmen von anderen Signalquellen (Tuner (TUNER), CD-Plattenspieler (CD/AUX))	17
Überspielen von Bändern	17
Verwendung des Monitors während einer Aufnahme mit einem Kassettendeck	19
Verwendung des S.E.A. Graphic Equalizers	19
Störungssuche	19
Technische Daten	21

**IMPORTANT**

**1. Installation**

- Select a place which is level, dry and neither too hot nor too cold (between -5°C and 40°C/23°F and 104°F).

**WICHTIG**

**1. Aufstellung**

- Das Gerät an einem ebenen, trockenen Ort aufstellen, der nicht zu heiß und nicht zu kalt ist (zwischen -5°C und 40°C).

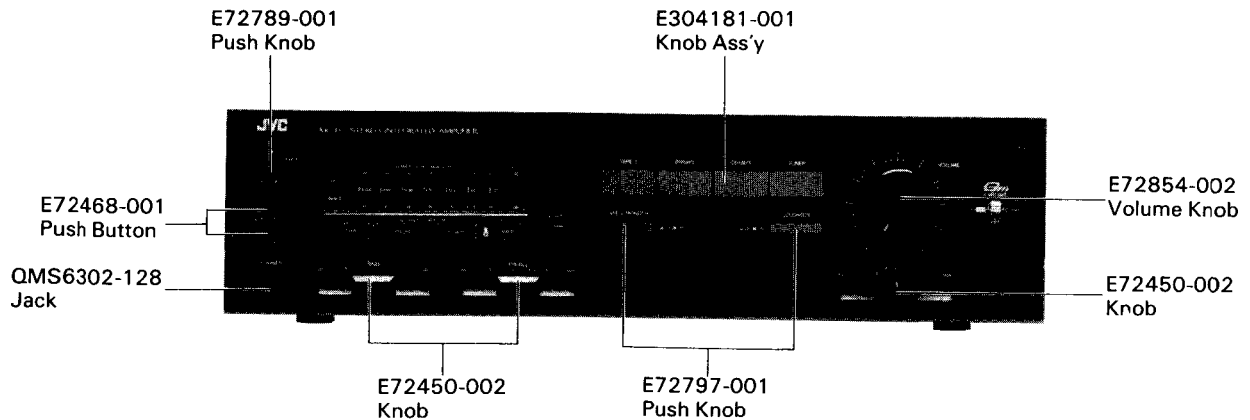
# PARTS LIST

## Contents

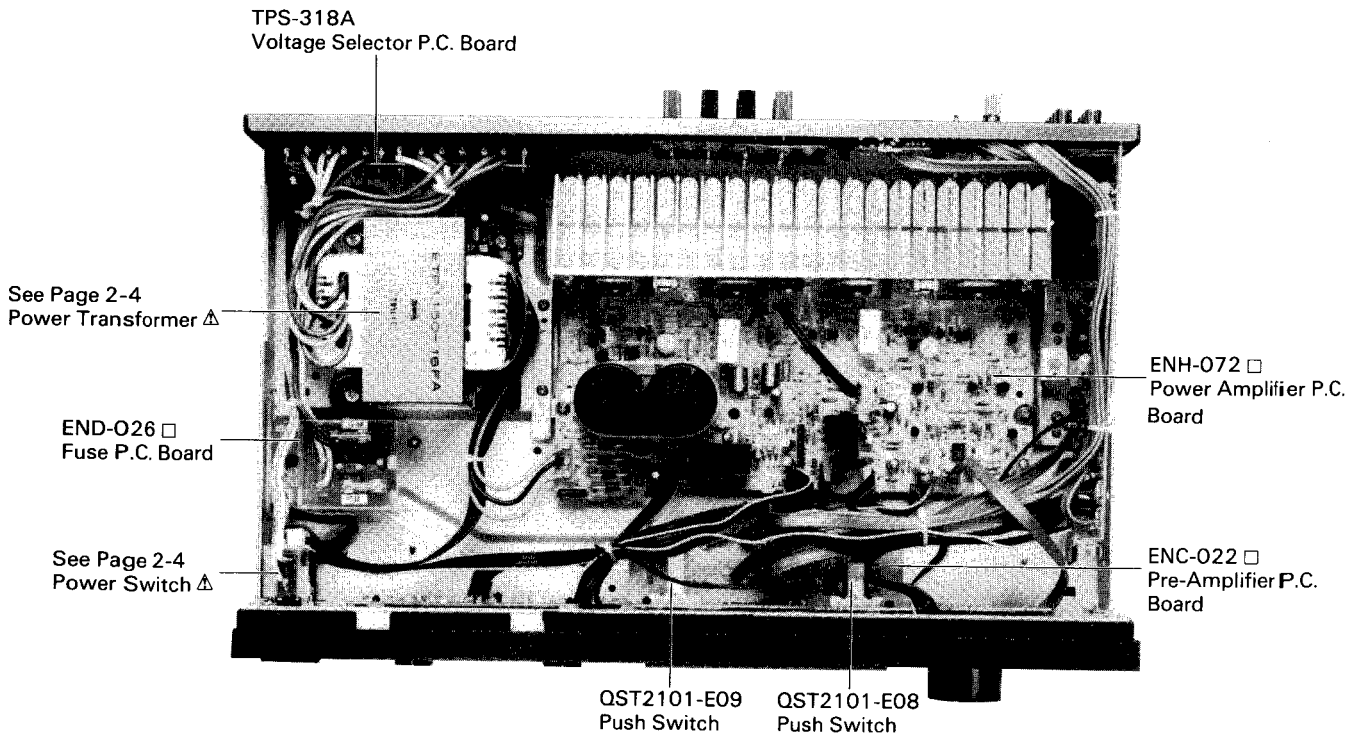
Main Parts Location .....	2-2
Exploded View and Part List.....	2-3
Printed Circuit Board Ass'y and Parts List.....	2-5
■ ENH-072 □ Power Amplifier P.C.Board Ass'y.....	2-5
■ ENC-022 □ Pre-Amplifier P.C. Board Ass'y.....	2-8
■ END-026 □ Fuse P.C. Board Ass'y .....	2-10
■ TPS-318 □ Voltage Selector P.C. Board Ass'y.....	2-11
Packing Materials and Parts Numbers.....	2-11
Accessories List .....	2-12

# Main Parts Locations

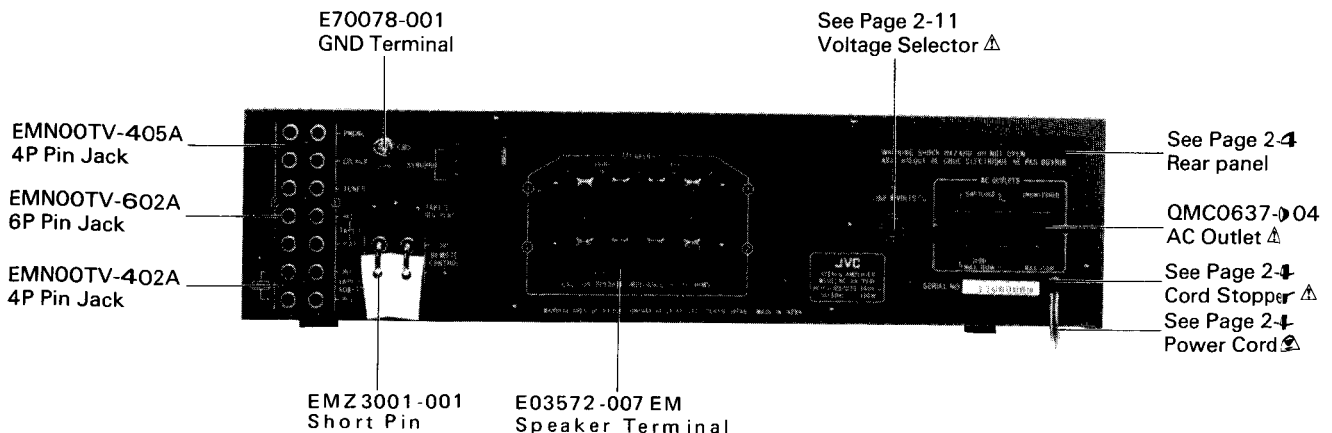
## ■ Top View



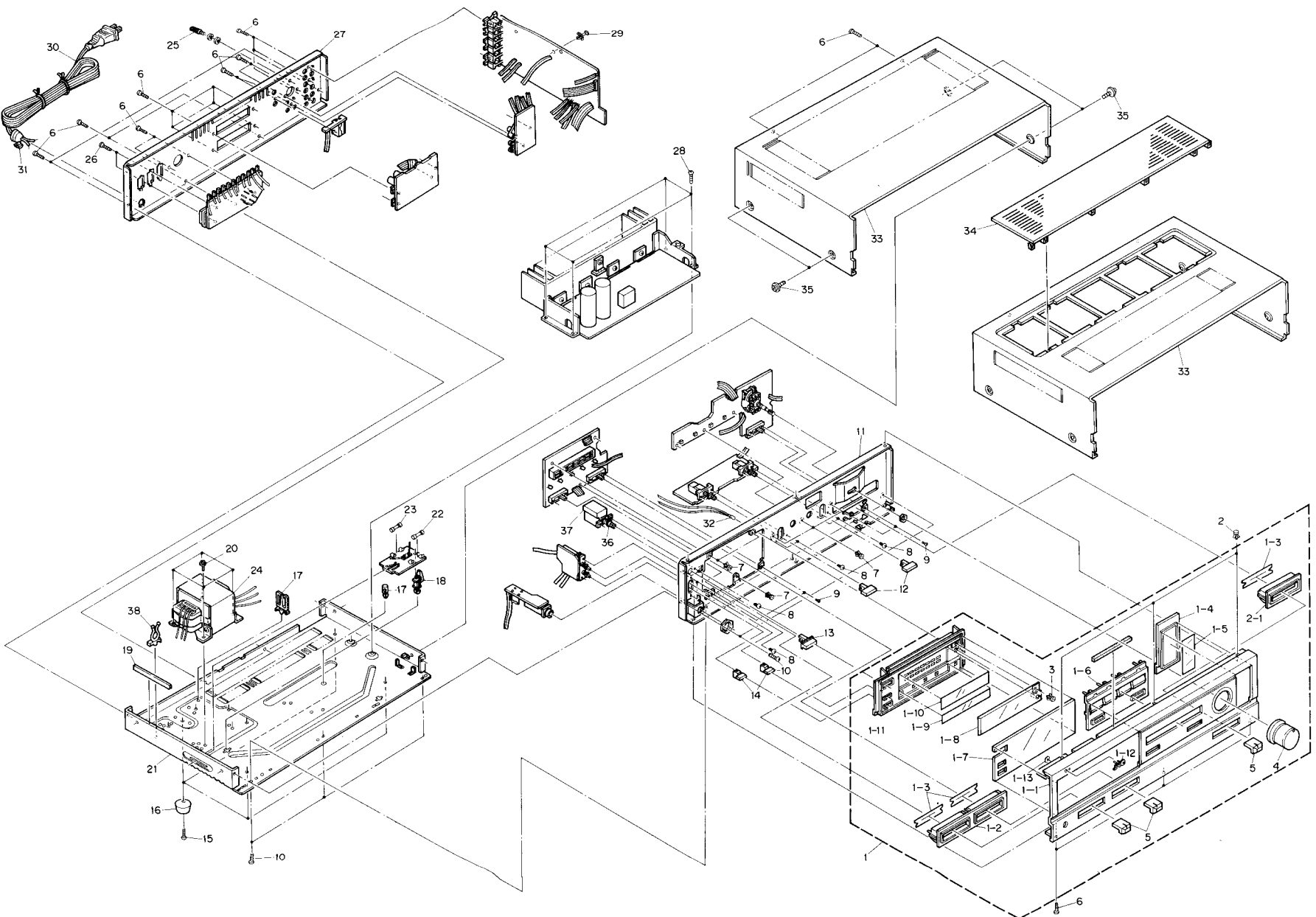
## ■ Front View



## ■ Rear View



# Exploded View and Part List



# Parts List

△	Item No.	Part Number	Part Name	Q'ty	Description	Areas
	1	FFP-AXE33BKE	Front Panel Ass'y	1		
	1-1	E25253-004	Front Panel	1		
	1-2	E304136-001	Knob Escutcheon	1		
	1-3	E72944-001	Felt Spacer	3		
	1-4	E72853-001	Escutcheon	1		
	1-5	E72798-002	Sheet	1		
	1-6	E304181-001	Knob Ass'y	1		
	1-7	E304090-002	Window Screen	1		
	1-8	E304088-002	Scale	1		
	1-9	E72796-002	Sheet	1		
	1-10	E72795-001	Sheet	1		
	1-11	E25255-001	Window Escutcheon	1		
	1-12	E72968-001	JVC Mark	1		
	1-13	E60192-003	Speed Nut	1		
	2	E48729-009	Plastic Rivet	3		
	3	E48729-007	Plastic Rivet	1		
	4	E72854-002	Volume Knob	1		
	5	E72450-002	Knob	3		
	6	SBSB3008M	Screw	22		
	7	E48729-008	Plastic Rivet	6		
	8	SBST3006Z	Screw	8		
	9	E70053-001	Screw	4		
	10	SBSB3008N	Screw	5		
	11	E11240-001	Front Bracket	1		
	12	E72797-001	Push Knob	2		
	13	E72789-001	Push Knob	1		
	14	E72468-001	Push Button	2		
	15	SBSB3010Z	Screw	4		
	16	E47227-012	Foot	4		
	17	E71335-002	Fastener	2		
	18	E34455-001	Fastener	1		
	19	E65778-002	Spacer	1		
	20	E65389-004	Screw	4		
	21	E10717-011	Chassis Base	1		
△	22	QMF51A2-4R0S	Fuse	1	(F001)	U
△		QMF51A2-2R5S	Fuse	1		E, G, A
△		QMF51E2-2R5SBS	Fuse	1		BS
△	23	QMF51A2-2R5S	Fuse	1	(F002)	U
△	24	ETP1150-18FA	Power Transformer	1		U
△		ETP1150-18EA	Power Transformer	1		E, G, A
△	25	ETP1150-18EABS	Power Transformer	1		BS
	26	E70078-001	Gnd. Terminal	1		
	27	SDSB3008M	Screw	2		
		E24127-049	Rear Panel	1		U
		E24127-050	Rear Panel	1		E, G, A, BS
	28	SBST3006Z	Screw	4		
	29	E69384-002	Fastener	1		
△	30	QMP7600-250	Power Cord	1		U
△		QMP3900-200	Power Cord	1		E, G
△		QMP2560-244	Power Cord	1		A
△	31	QMP9017-008BS	Power Cord	1		BS
△		QHS3876-162	Cord Stopper	1		Except BS
△		QHS3876-162BS	Cord Stopper	1		BS
	32	ELP3105-8060A	Pilot Lamp	1		
	33	E24721-006	Metal Cover	1		U, G, A

△: Safety Parts

△	Item No.	Part Number	Part Name	Q'ty	Description	Areas
	34	E25026-003	Metal Cover	1	with Grill	E, BS
	35	E23862-004	Grill	1		
	36	E61660-004	Screw	4		E, BS
△	36	QSP1106-005	Power Switch	1		Except BS
△		QSP1106-005BS	Power Switch	1		
	37	E71005-001	Switch Cover	1		
	38	QHW3059-001	Wire Clamp	1		

△ : Safety Parts

The Marks for Designated Areas

E ..... Europe  
 G ..... West Germany  
 A ..... Australia

BS ..... U.K.  
 U ..... Other Countries  
 No marks indicates all areas.

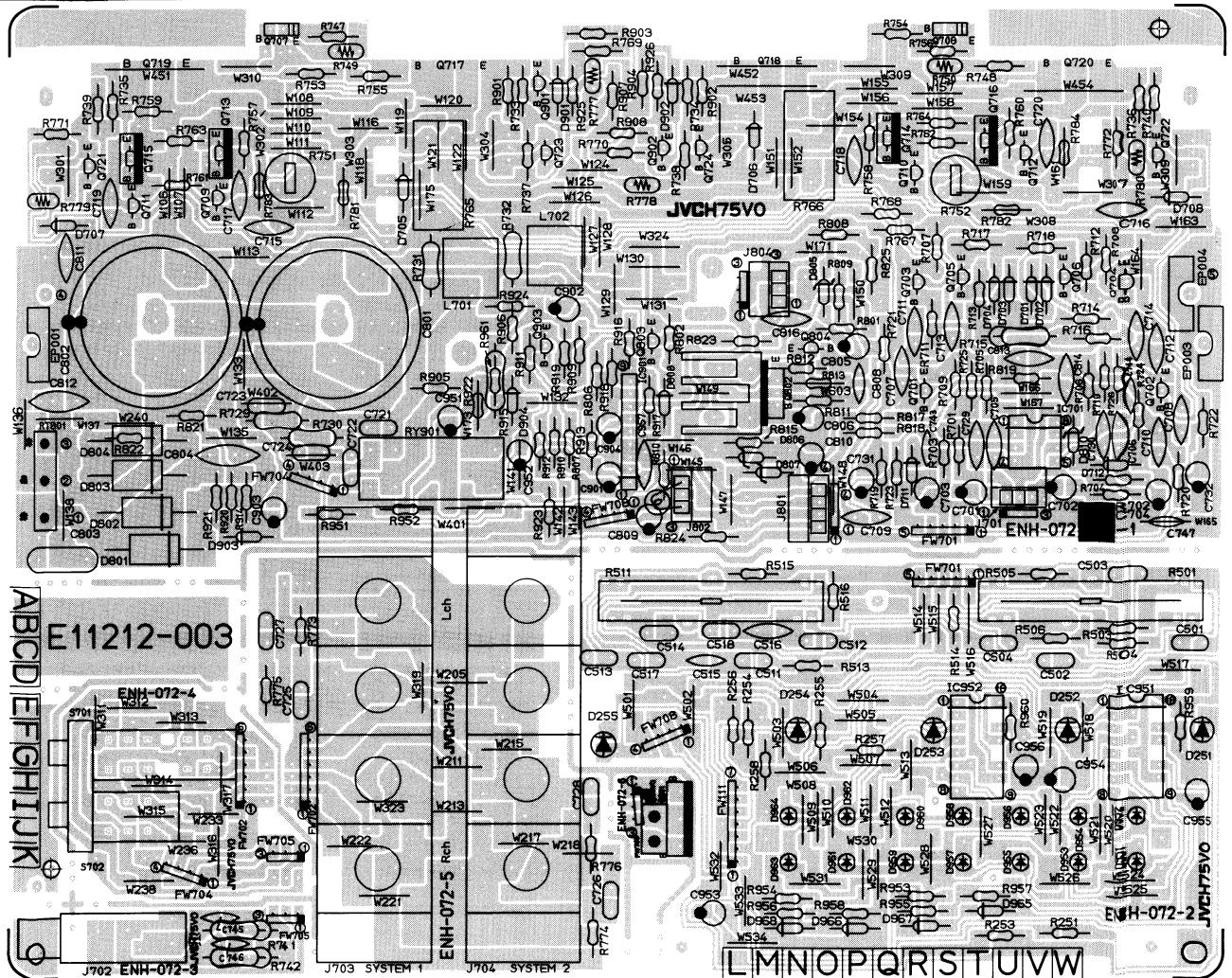
## Printed Circuit Board Ass'y and Parts List

### ■ ENH-072 □ Amplifier P.C. Board Ass'y

Note: ENH-072 □ Varies according to the areas employed. See note (1) when placing an order.

Note (1)

P.C. Board Ass'y	Designated Areas
ENH-072 <b>C</b>	Other Countries
ENH-072 <b>D</b>	Europe, Australia & U.K.
ENH-072 <b>E</b>	West Germany



TRANSISTORS

ITEM	PART NUMBER	DESCRIPTION		AREA
			MAKER	
Q701	2SC2389(S,E)	SILICON	ROHM	
Q702	2SC2389(S,E)	SILICON	ROHM	
Q703	2SA1038(S,E)	SILICON	ROHM	
Q704	2SA1038(S,E)	SILICON	ROHM	
Q705	2SC2389(S,E)	SILICON	ROHM	
Q706	2SC2389(S,E)	SILICON	ROHM	
Q707	2SD636(Q,R)	SILICON	MATSUSHITA	
Q708	2SD636(Q,R)	SILICON	MATSUSHITA	
Q709	2SC2389(S,E)	SILICON	ROHM	
Q710	2SC2389(S,E)	SILICON	ROHM	
Q711	2SA1038(S,E)	SILICON	ROHM	
Q712	2SA1038(S,E)	SILICON	ROHM	
Q713	2SC2235(O,Y)	SILICON	TOSHIBA	
Q714	2SC2235(O,Y)	SILICON	TOSHIBA	
Q715	2SA965(O,Y)	SILICON	TOSHIBA	
Q716	2SA965(O,Y)	SILICON	TOSHIBA	
Q717	2SD1148LB(O,R)	SILICON	TOSHIBA	
Q718	2SD1148LB(O,R)	SILICON	TOSHIBA	
Q719	2SB863LB(O,R)	SILICON	TOSHIBA	
Q720	2SB863LB(O,R)	SILICON	TOSHIBA	
Q721	2SA933LN(R,S)	SILICON	ROHM	
Q722	2SA933LN(R,S)	SILICON	ROHM	
Q723	2SC1740LN(R,S)	SILICON	ROHM	
Q724	2SC1740LN(R,S)	SILICON	ROHM	
Q801	2SD1487(P,S)	SILICON	MATSUSHITA	
Q802	2SB941A(P,Q)	SILICON	MATSUSHITA	
Q803	2SC1740LN(R,S)	SILICON	ROHM	
Q804	2SA933LN(R,S)	SILICON	ROHM	
Q901	2SC2389(S,E)	SILICON	ROHM	
Q902	2SC2389(S,E)	SILICON	ROHM	
Q903	2SA1038(S,E)	SILICON	ROHM	

△ : SAFETY PARTS

I. C. S

ITEM	PART NUMBER	DESCRIPTION		AREA
			MAKER	
IC701	NJM4560DD	I.C.	JRC	
IC901	TA7317P	I.C.	TOSHIBA	
IC951	IR2E19	I.C.	SHARP	
IC952	IR2E19	I.C.	SHARP	

△ : SAFETY PARTS

DIODES

ITEM	PART NUMBER	DESCRIPTION		AREA
			MAKER	
D251	SLR-55DC50F	L.E.D.	ROHM	
D252	SLR-55DC50F	L.E.D.	ROHM	
D253	SLR-55DC50F	L.E.D.	ROHM	
D254	SLR-55DC50F	L.E.D.	ROHM	
D255	SLH-56VC50F130	L.E.D.	ROHM	
D701	1S2076-31	SILICON	HITACHI	
D702	1S2076-31	SILICON	HITACHI	
D703	1S2076-31	SILICON	HITACHI	
D704	1S2076-31	SILICON	HITACHI	
D705	1S2076-31	SILICON	HITACHI	
D706	1S2076-31	SILICON	HITACHI	
D707	1S2076-31	SILICON	HITACHI	
D708	1S2076-31	SILICON	HITACHI	
D711	1S2076-31	SILICON	HITACHI	
D712	1S2076-31	SILICON	HITACHI	
D801	S3V20F	SILICON	SHINDENGEN	
D802	S3V20F	SILICON	SHINDENGEN	
D803	S3V20F	SILICON	SHINDENGEN	
D804	S3V20F	SILICON	SHINDENGEN	
D805	RD15EB3	ZENER	NEC	
D806	RD9.1EB3	ZENER	NEC	
D807	RD8.2EB3	ZENER	NEC	
D808	1S2076-31	SILICON	HITACHI	
D810	RD2.7EB2	ZENER	NEC	
D901	1S2076-31	SILICON	HITACHI	
D902	1S2076-31	SILICON	HITACHI	
D903	1S2076-31	SILICON	HITACHI	
D904	1S2076-31	SILICON	HITACHI	
D951	SLV-31DC3F	L.E.D.	ROHM	
D952	SLV-31DC3F	L.E.D.	ROHM	
D953	SLV-31DC3F	L.E.D.	ROHM	
D954	SLV-31DC3F	L.E.D.	ROHM	
D955	SLV-31DC3F	L.E.D.	ROHM	
D956	SLV-31DC3F	L.E.D.	ROHM	
D957	SLV-31DC3F	L.E.D.	ROHM	

△ : SAFETY PARTS

ITEM	PART NUMBER	DESCRIPTION		AREA
			MAKER	
D958	SLV-31DC3F	L.E.D.	ROHM	
D959	SLV-31DC3F	L.E.D.	ROHM	
D960	SLV-31DC3F	L.E.D.	ROHM	
D961	SLV-31DC3F	L.E.D.	ROHM	
D962	SLV-31DC3F	L.E.D.	ROHM	
D963	SLV-31DC3F	L.E.D.	ROHM	
D964	SLV-31DC3F	L.E.D.	ROHM	
D965	1S2076-31	SILICON	HITACHI	
D966	1S2076-31	SILICON	HITACHI	
D967	1S2076-31	SILICON	HITACHI	
D968	1S2076-31	SILICON	HITACHI	

△ : SAFETY PARTS

CAPACITORS

ITEM	PART NUMBER	DESCRIPTION			AREA
C501	QFN81HK-153	0.015MF	50V	MYLAR	
C502	QFN81HK-153	0.015MF	50V	MYLAR	
C503	QFN81HK-823	0.082MF	50V	MYLAR	
C504	QFN81HK-823	0.082MF	50V	MYLAR	
C511	QFN81HK-332	3300PF	50V	MYLAR	
C512	QFN81HK-332	3300PF	50V	MYLAR	
C513	QFN81HK-183	0.018MF	50V	MYLAR	
C514	QFN81HK-183	0.018MF	50V	MYLAR	
C515	QCS21HJ-221	220PF	50V	CERAMIC	
C516	QCS21HJ-221	220PF	50V	CERAMIC	
C517	QFN81HK-122	1200PF	50V	MYLAR	
C518	QFN81HK-122	1200PF	50V	MYLAR	
C701	QETB1HM-475	4.7MF	50V	ELECTRO	
C702	QETB1HM-475	4.7MF	50V	ELECTRO	
C703	QETB1AM-107	100MF	10V	ELECTRO	
C704	QETB1AM-107	100MF	10V	ELECTRO	
C705	QCS21HJ-101	100PF	50V	CERAMIC	C
C705	QCS21HJ-101	100PF	50V	CERAMIC	D
C705	QCS21HJ-101	100PF	50V	CERAMIC	E
C705	QCS21HJ-680	68PF	50V	CERAMIC	E
C706	QCS21HJ-101	100PF	50V	CERAMIC	C
C706	QCS21HJ-101	100PF	50V	CERAMIC	D
C706	QCS21HJ-680	68PF	50V	CERAMIC	E
C707	QCS21HJ-220	22PF	50V	CERAMIC	
C708	QCS21HJ-220	22PF	50V	CERAMIC	
C709	QCS21HJ-180	18PF	50V	CERAMIC	
C710	QCS21HJ-180	18PF	50V	CERAMIC	
C711	QCS21HJ-181	180PF	50V	CERAMIC	C
C711	QCS21HJ-680	68PF	50V	CERAMIC	D
C711	QCS21HJ-680	68PF	50V	CERAMIC	E
C712	QCS21HJ-181	180PF	50V	CERAMIC	C
C712	QCS21HJ-680	68PF	50V	CERAMIC	D
C712	QCS21HJ-680	68PF	50V	CERAMIC	E
C713	QCS21HJ-181	180PF	50V	CERAMIC	C
C713	QCS21HJ-680	68PF	50V	CERAMIC	D
C713	QCS21HJ-680	68PF	50V	CERAMIC	E
C714	QCS21HJ-181	180PF	50V	CERAMIC	C
C714	QCS21HJ-680	68PF	50V	CERAMIC	D
C714	QCS21HJ-680	68PF	50V	CERAMIC	E
C715	QCF21HP-103	0.01MF	50V	CERAMIC	
C716	QCF21HP-103	0.01MF	50V	CERAMIC	
C717	QCS21HJ-680	68PF	50V	CERAMIC	
C718	QCS21HJ-680	68PF	50V	CERAMIC	
C719	QCS21HJ-680	68PF	50V	CERAMIC	
C720	QCS21HJ-680	68PF	50V	CERAMIC	
C721	QFN81HK-104	0.1MF	50V	MYLAR	
C722	QFN81HK-104	0.1MF	50V	MYLAR	
C723	QFN81HK-104	0.1MF	50V	MYLAR	
C724	QFN81HK-104	0.1MF	50V	MYLAR	
C725	QFN81HK-103	0.01MF	50V	MYLAR	E
C726	QFN81HK-103	0.01MF	50V	MYLAR	E
C727	QFN81HK-103	0.01MF	50V	MYLAR	E
C728	QFN81HK-103	0.01MF	50V	MYLAR	E
C729	QCS21HJ-151	150PF	50V	CERAMIC	
C729	QCS21HJ-470	47PF	50V	CERAMIC	D
C729	QCS21HJ-470	47PF	50V	CERAMIC	C
C730	QCS21HJ-151	150PF	50V	CERAMIC	E
C730	QCS21HJ-470	47PF	50V	CERAMIC	D
C730	QCS21HJ-470	47PF	50V	CERAMIC	C
C731	QETB1HM-105	1MF	50V	ELECTRO	
C732	QETB1HM-105	1MF	50V	ELECTRO	
C743	QCS21HJ-820	82PF	50V	CERAMIC	E
C744	QCS21HJ-820	82PF	50V	CERAMIC	E
C745	QCS21HJ-221	220PF	50V	CERAMIC	E
C746	QCS21HJ-221	220PF	50V	CERAMIC	E
C801	EEW6304-109E	10000MF	63V	ELECTRO	

△ : SAFETY PARTS



CAPACITORS

△	ITEM	PART NUMBER	DESCRIPTION			AREA
	C802	EEW6304-109E	10000MF	63V	ELECTRO	
	C803	QFH42EK-104	0.1MF	250V	M.MYLAR	
	C804	QCE22HP-103A	0.01MF	500V	CERAMIC	
	C805	QETB1EM-107	100MF	25V	ELECTRO	
	C806	QETB1HM-106	10MF	50V	ELECTRO	
	C808	QCS21HJ-101	100PF	50V	CERAMIC	
	C809	QETB1CM-107	100MF	16V	ELECTRO	
	C810	QETB1EM-106	10MF	25V	ELECTRO	
	C811	QCS21HJ-821A	820PF	50V	CERAMIC	E
	C813	QCF21HP-223	0.022MF	50V	CERAMIC	C
	C813	QCF21HP-223	0.022MF	50V	CERAMIC	D
	C814	QCS21HP-223	0.022MF	50V	CERAMIC	C
	C814	QCF21HP-223	0.022MF	50V	CERAMIC	D
	C901	QETB1AM-107	100MF	10V	ELECTRO	
	C902	QETB1HM-226	22MF	50V	ELECTRO	
	C903	QETB1HM-105	1MF	50V	ELECTRO	
	C904	QETB1EM-226	22MF	25V	ELECTRO	
	C951	QETB1HM-475	4.7MF	50V	ELECTRO	
	C952	QETB1HM-475	4.7MF	50V	ELECTRO	
	C953	QETB1EM-106	10MF	25V	ELECTRO	
	C954	QETB1EM-106	10MF	25V	ELECTRO	
	C955	QETB1EM-106	10MF	25V	ELECTRO	
	C956	QETB1EM-106	10MF	25V	ELECTRO	

△ : SAFETY PARTS

RESISTORS

△	ITEM	PART NUMBER	DESCRIPTION			AREA
	R251	QRD148J-241S	240	1/4W	CARBON	
	R253	QRD148J-103S	10K	1/4W	CARBON	
	R254	QRD148J-103S	10K	1/4W	CARBON	
	R255	QRD148J-103S	10K	1/4W	CARBON	
	R256	QRD148J-103S	10K	1/4W	CARBON	
	R257	QRD148J-241S	240	1/4W	CARBON	
	R258	QRD148J-241S	240	1/4W	CARBON	
	R501	QVUB01C-E15E	100K		VARIABLE	
	R503	QRD148J-183S	18K	1/4W	CARBON	
	R504	QRD148J-183S	18K	1/4W	CARBON	
	R505	QRD148J-332S	3.3K	1/4W	CARBON	
	R506	QRD148J-332S	3.3K	1/4W	CARBON	
	R511	QVUB01C-E15E	100K		VARIABLE	
	R513	QRD148J-472S	4.7K	1/4W	CARBON	
	R514	QRD148J-472S	4.7K	1/4W	CARBON	
	R515	QRD148J-821S	820	1/4W	CARBON	
	R516	QRD148J-821S	820	1/4W	CARBON	
	R701	QRD148J-222S	2.2K	1/4W	CARBON	
	R702	QRD148J-222S	2.2K	1/4W	CARBON	
	R703	QRD148J-104S	100K	1/4W	CARBON	
	R704	QRD148J-104S	100K	1/4W	CARBON	
△	R705	QRZ0062-101	100	1/4W	FUSIBLE	
△	R706	QRZ0062-101	100	1/4W	FUSIBLE	
△	R707	QRD145J-101S	100	1/4W	UNF. CARBON	
△	R708	QRD145J-101S	100	1/4W	UNF. CARBON	
△	R709	QRZ0062-820	82	1/4W	FUSIBLE	
△	R710	QRZ0062-820	82	1/4W	FUSIBLE	
△	R711	QRD145J-470S	47	1/4W	UNF. CARBON	
△	R712	QRD145J-470S	47	1/4W	UNF. CARBON	
△	R713	QRD145J-470S	47	1/4W	UNF. CARBON	
△	R714	QRD145J-470S	47	1/4W	UNF. CARBON	
△	R715	QRG022J-153AF	15K	2W	O.M. FILM	
	R716	QRD148J-272S	2.7K	1/4W	CARBON	
△	R717	QRD145J-181S	180	1/4W	UNF. CARBON	
△	R718	QRD145J-181S	180	1/4W	UNF. CARBON	
	R719	QRD148J-133S	13K	1/4W	CARBON	
	R720	QRD148J-133S	13K	1/4W	CARBON	
	R721	QRD148J-823S	82K	1/4W	CARBON	
	R722	QRD148J-823S	82K	1/4W	CARBON	
	R723	QRD148J-431S	430	1/4W	CARBON	
	R724	QRD148J-431S	430	1/4W	CARBON	
	R725	QRD148J-272S	2.7K	1/4W	CARBON	
	R726	QRD148J-272S	2.7K	1/4W	CARBON	
△	R729	QRG012J-100A	10	1W	O.M. FILM	
△	R730	QRG012J-100A	10	1W	O.M. FILM	
△	R731	QRD125J-330	33	1/2W	UNF. CARBON	
△	R732	QRD125J-330	33	1/2W	UNF. CARBON	
	R733	QRD148J-181S	180	1/4W	CARBON	
	R734	QRD148J-181S	180	1/4W	CARBON	
	R735	QRD148J-181S	180	1/4W	CARBON	
	R736	QRD148J-181S	180	1/4W	CARBON	
	R737	QRD148J-121S	120	1/4W	CARBON	
	R738	QRD148J-121S	120	1/4W	CARBON	
	R739	QRD148J-121S	120	1/4W	CARBON	
	R740	QRD148J-121S	120	1/4W	CARBON	

△ : SAFETY PARTS

△	ITEM	PART NUMBER	DESCRIPTION			AREA
△	R741	QRG012J-331A	330	1W	O.M. FILM	
△	R742	QRG012J-331A	330	1W	O.M. FILM	
	R747	QRD148J-152S	1.5K	1/4W	CARBON	D
	R747	QRD148J-152S	1.5K	1/4W	CARBON	E
	R748	QRD148J-152S	1.5K	1/4W	CARBON	D
	R748	QRD148J-152S	1.5K	1/4W	CARBON	E
	R749	ERT-D2WHL202S	2K		THERMISTOR	D
	R749	ERT-D2WHL202S	2K		THERMISTOR	E
	R750	ERT-D2WHL202S	2K		THERMISTOR	D
	R750	ERT-D2WHL202S	2K		THERMISTOR	E
	R751	QVP4A0B-471	470		VARIABLE	
	R752	QVP4A0B-471	470		VARIABLE	
	R753	QRD148J-152S	1.5K	1/4W	CARBON	
	R754	QRD148J-152S	1.5K	1/4W	CARBON	
	R755	QRD148J-391S	390	1/4W	CARBON	
	R756	QRD148J-391S	390	1/4W	CARBON	
△	R757	QRZ0062-100	10	1/4W	FUSIBLE	
△	R758	QRZ0062-100	10	1/4W	FUSIBLE	
△	R759	QRZ0062-100	10	1/4W	FUSIBLE	
△	R760	QRZ0062-100	10	1/4W	FUSIBLE	
△	R761	QRD145J-272S	2.7K	1/4W	UNF. CARBON	
△	R762	QRD145J-272S	2.7K	1/4W	UNF. CARBON	
△	R763	QRD145J-471S	470	1/4W	UNF. CARBON	
△	R764	QRD145J-471S	470	1/4W	UNF. CARBON	
	R765	ERF032K-R22	0.22	3W	CEMENT	
	R766	ERF032K-R22	0.22	3W	CEMENT	
△	R767	QRZ0062-220	22	1/4W	FUSIBLE	
△	R768	QRZ0062-220	22	1/4W	FUSIBLE	
△	R773	QRD145J-100S	10	1/4W	UNF. CARBON	E
△	R774	QRD145J-100S	10	1/4W	UNF. CARBON	E
△	R775	QRD145J-100S	10	1/4W	UNF. CARBON	E
△	R776	QRD145J-100S	10	1/4W	UNF. CARBON	E
△	R801	QRZ0062-100	10	1/4W	FUSIBLE	
△	R802	QRZ0062-150	15	1/4W	FUSIBLE	
	R806	QRD148J-823S	82K	1/4W	CARBON	
	R807	QRD148J-563S	56K	1/4W	CARBON	
	R808	QRD148J-153S	15K	1/4W	CARBON	
	R809	QRD148J-153S	15K	1/4W	CARBON	
△	R810	QRZ0062-180	18	1/4W	FUSIBLE	
	R811	QRD148J-183S	18K	1/4W	CARBON	
△	R812	QRD148J-183S	18K	1/4W	CARBON	
△	R813	QRZ0062-270	27	1/4W	FUSIBLE	
	R815	QRD148J-471S	470	1/4W	CARBON	
	R817	QRD148J-681S	680	1/4W	CARBON	
	R818	QRD148J-102S	1K	1/4W	CARBON	
	R819	QRD148J-202S	2K	1/4W	CARBON	
	R821	QRD148J-124S	120K	1/4W	CARBON	
	R822	QRD148J-124S	120K	1/4W	CARBON	
	R823	QRD148J-151S	150	1/4W	CARBON	
	R824	QRD148J-563S	56K	1/4W	CARBON	
	R825	QRD148J-273S	27K	1/4W	CARBON	
	R901	QRD148J-272S	2.7K	1/4W	CARBON	
	R902	QRD148J-272S	2.7K	1/4W	CARBON	
	R903	QRD148J-183S	18K	1/4W	CARBON	
	R904	QRD148J-183S	18K	1/4W	CARBON	
	R905	QRD148J-104S	100K	1/4W	CARBON	
	R906	QRD148J-823S	82K	1/4W	CARBON	
	R907	QRD148J-223S	22K	1/4W	CARBON	
	R908	QRD148J-223S	22K	1/4W	CARBON	
	R909	QRD148J-103S	10K	1/4W	CARBON	
	R910	QRD148J-104S	100K	1/4W	CARBON	
	R911	QRD148J-473S	47K	1/4W	CARBON	
	R912	QRD148J-683S	68K	1/4W	CARBON	
	R913	QRD148J-683S	68K	1/4W	CARBON	
	R914	QRD148J-103S	10K	1/4W	CARBON	
△	R915	QRG022J-152AF	1.5K	2W	O.M. FILM	
	R916	QRD148J-303S	30K	1/4W	CARBON	
	R917	QRD148J-203S	20K	1/4W	CARBON	
	R918	QRD148J-224S	220K	1/4W	CARBON	
	R919	QRD148J-332S	3.3K	1/4W	CARBON	
	R920	QRD148J-682S	6.8K	1/4W	CARBON	
	R921	QRD148J-472S	4.7K	1/4W	CARBON	
	R922	QRD148J-121S	120	1/4W	CARBON	
△	R924	QRD145J-470S	47	1/4W	UNF. CARBON	
	R951	QRD148J-123S	12K	1/4W	CARBON	
	R952	QRD148J-123S	12K	1/4W	CARBON	
	R953	QRD148J-471S	470	1/4W	CARBON	
	R954	QRD148J-471S	470	1/4W	CARBON	
	R955	QRD148J-103S	10K	1/4W	CARBON	
	R956	QRD148J-103S	10K	1/4W	CARBON	
	R957	QRD148J-152S	1.5K	1/4W	CARBON	
	R958	QRD148J-152S	1.5K	1/4W	CARBON	
	R959	QRD148J-272S	2.7K	1/4W	CARBON	
	R960	QRD148J-272S	2.7K	1/4W	CARBON	

△ : SAFETY PARTS

OTHERS

ITEM	PART NUMBER	DESCRIPTION	AREA
	E11212-002	CIRCUIT BOARD	D
	E300209-020	HEAT SINK	
	E304092-001	LED HOLDER	
	E33754-005	TIE BAND	
	E67292-002	HEAT SINK BRACKET	
	E67293-002	BRACKET	
	E70845-001	SPECIAL SCREW	
	E70945-H40B	HEAT SINK	
	SBSB3008CC	SCREW	
	SBSB3008CC	SCREW	
	SBSE3012CC	SCREW	
	SBSE3012CC	SCREW	
J701	EMV7112-003	SOCKET WIRE	
J702	QMS6302-128	JACK ASSY	
J703	E03572-007EM	SPK.TERMINAL	

ITEM	PART NUMBER	DESCRIPTION	AREA
J704	E03572-007EM	SPK.TERMINAL	E
J801	EMV7112-004	SOCKET WIRE	
J802	EMV7112-003	SOCKET WIRE	
J804	EMV7112-003	SOCKET WIRE	
L701	EQL0001-1R0	INDUCTOR	
L702	EQL0001-1R0	INDUCTOR	
S701	QST4231-E01	PUSH SWITCH	
S702	QST4231-E01	PUSH SWITCH	
EP001	E70859-001	EARTH PLATE	
EP003	E70859-001	EARTH PLATE	
RT801	E67764-103	TERMINAL	
RY901	ESK5D24-218	RELAY	

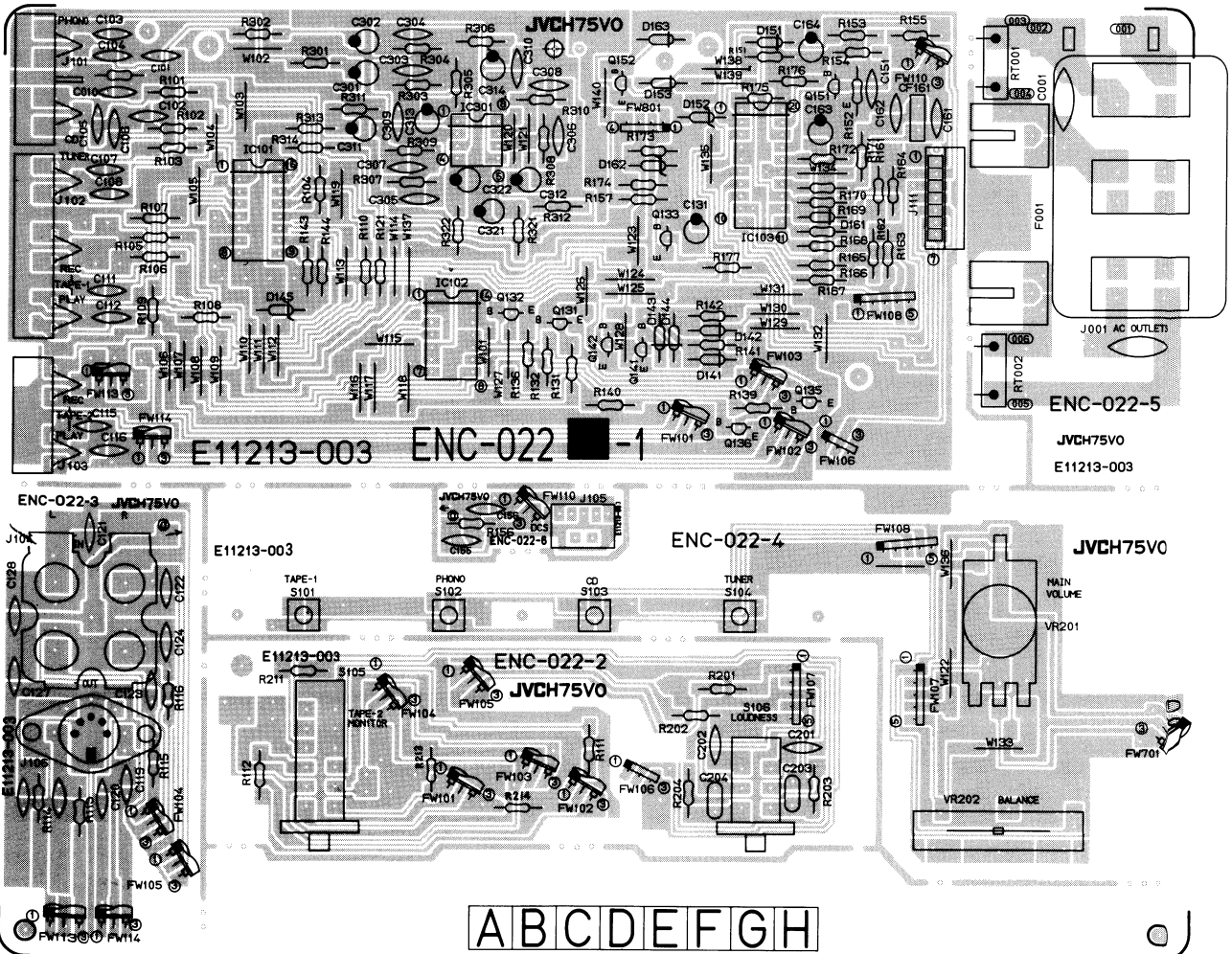
△ : SAFETY PARTS

■ ENC-022 □ Pre-Amplifier P.C. Board Ass'y

Note: ENC-022 □ Varies according to the areas employed. See note (1) when placing an order.

Note (1)

P.C. Board Ass'y	Designated Areas
ENC-022 <b>B</b>	Europe, Australia, U.K. & Other Countries
ENC-022 <b>C</b>	West Germany



TRANSISTORS

ITEM	PART NUMBER	DESCRIPTION			AREA
				MAKER	
Q131	DTA114YN	SILICON	ROHM		
Q132	DTA114YN	SILICON	ROHM		
Q133	DTA114YN	SILICON	ROHM		
Q135	2SD1302(S,T)	SILICON	MATSUSHITA		
Q136	2SD1302(S,T)	SILICON	MATSUSHITA		
Q141	DTC144EN	SILICON	ROHM		
Q142	DTC144EN	SILICON	ROHM		
Q151	2SC1685(R,S)	SILICON	MATSUSHITA		
Q152	2SC1740LN(R,S)	SILICON	ROHM		

△ : SAFETY PARTS

ITEM	PART NUMBER	DESCRIPTION			AREA
C305	QCY21HK-182	1800PF	50V	CERAMIC	
C306	QCY21HK-182	1800PF	50V	CERAMIC	
C307	QCY21HK-682	6800PF	50V	CERAMIC	
C308	QCY21HK-682	6800PF	50V	CERAMIC	
C309	QCS21HJ-101	100PF	50V	CERAMIC	
C310	QCS21HJ-101	100PF	50V	CERAMIC	
C311	QETB1HM-475	4.7MF	50V	ELECTRO	
C312	QETB1HM-475	4.7MF	50V	ELECTRO	
C313	QETB1AM-107	100MF	10V	ELECTRO	
C314	QETB1AM-107	100MF	10V	ELECTRO	
C321	QETB1CM-476	47MF	16V	ELECTRO	
C322	QETB1CM-476	47MF	16V	ELECTRO	

△ : SAFETY PARTS

I. C. S

ITEM	PART NUMBER	DESCRIPTION			AREA
				MAKER	
IC101	TC4052BP	I.C.	TOSHIBA		
IC102	TC4066BP	I.C.	TOSHIBA		
IC103	M50761-304P	I.C.	MITSUBISHI		
IC301	NJM4558D-D	I.C.	JRC		

△ : SAFETY PARTS

RESISTORS

ITEM	PART NUMBER	DESCRIPTION			AREA
R101	QRD148J-102S	1K	1/4W	CARBON	
R102	QRD148J-102S	1K	1/4W	CARBON	
R103	QRD148J-102S	1K	1/4W	CARBON	
R104	QRD148J-102S	1K	1/4W	CARBON	
R105	QRD148J-102S	1K	1/4W	CARBON	
R106	QRD148J-102S	1K	1/4W	CARBON	
R107	QRD148J-102S	1K	1/4W	CARBON	
R108	QRD148J-102S	1K	1/4W	CARBON	
R109	QRD148J-102S	1K	1/4W	CARBON	
R110	QRD148J-102S	1K	1/4W	CARBON	
R111	QRD148J-102S	1K	1/4W	CARBON	
R112	QRD148J-102S	1K	1/4W	CARBON	
R113	QRD148J-104S	100K	1/4W	CARBON	
R114	QRD148J-104S	100K	1/4W	CARBON	B
R114	QRD148J-104S	100K	1/4W	CARBON	C
R115	QRD148J-102S	1K	1/4W	CARBON	
R116	QRD148J-102S	1K	1/4W	CARBON	
R121	QRD148J-681S	680	1/4W	CARBON	
R131	QRD148J-104S	100K	1/4W	CARBON	
R132	QRD148J-222S	2.2K	1/4W	CARBON	
R136	QRD148J-222S	2.2K	1/4W	CARBON	
R139	QRD148J-104S	100K	1/4W	CARBON	
R140	QRD148J-104S	100K	1/4W	CARBON	
R141	QRD148J-223S	22K	1/4W	CARBON	
R142	QRD148J-223S	22K	1/4W	CARBON	
R143	QRD148J-223S	22K	1/4W	CARBON	
R144	QRD148J-223S	22K	1/4W	CARBON	
R151	QRD148J-102S	1K	1/4W	CARBON	
R152	QRD148J-473S	47K	1/4W	CARBON	
R153	QRD148J-473S	47K	1/4W	CARBON	
R154	QRD148J-103S	10K	1/4W	CARBON	
R155	QRD148J-102S	1K	1/4W	CARBON	
R156	QRD148J-100S	10	1/4W	CARBON	
R157	QRD148J-124S	120K	1/4W	CARBON	
R161	QRD148J-103S	10K	1/4W	CARBON	
R162	QRD148J-103S	10K	1/4W	CARBON	
R163	QRD148J-103S	10K	1/4W	CARBON	
R164	QRD148J-103S	10K	1/4W	CARBON	
R165	QRD148J-103S	10K	1/4W	CARBON	
R166	QRD148J-103S	10K	1/4W	CARBON	
R167	QRD148J-103S	10K	1/4W	CARBON	
R168	QRD148J-103S	10K	1/4W	CARBON	
R169	QRD148J-473S	47K	1/4W	CARBON	
R170	QRD148J-332S	3.3K	1/4W	CARBON	
R171	QRD148J-105S	1M	1/4W	CARBON	
R172	QRD148J-103S	10K	1/4W	CARBON	
R173	QRD148J-103S	10K	1/4W	CARBON	
R174	QRD148J-471S	470	1/4W	CARBON	
R175	QRD148J-103S	10K	1/4W	CARBON	
R176	QRD148J-103S	10K	1/4W	CARBON	
R177	QRD148J-561S	560	1/4W	CARBON	
R201	QRD148J-472S	4.7K	1/4W	CARBON	
R202	QRD148J-472S	4.7K	1/4W	CARBON	
R203	QRD148J-223S	22K	1/4W	CARBON	
R204	QRD148J-223S	22K	1/4W	CARBON	
R211	QRD148J-470S	47	1/4W	CARBON	
R213	QRD148J-105S	1M	1/4W	CARBON	
R214	QRD148J-105S	1M	1/4W	CARBON	
R301	QRD148J-222S	2.2K	1/4W	CARBON	
R302	QRD148J-222S	2.2K	1/4W	CARBON	
R303	QRD148J-473S	47K	1/4W	CARBON	
R304	QRD148J-473S	47K	1/4W	CARBON	
R305	QRD148J-751S	750	1/4W	CARBON	
R306	QRD148J-751S	750	1/4W	CARBON	
R307	QRD148J-393S	39K	1/4W	CARBON	
R308	QRD148J-393S	39K	1/4W	CARBON	
R309	QRD148J-474S	470K	1/4W	CARBON	
R310	QRD148J-474S	470K	1/4W	CARBON	
R311	QRD148J-104S	100K	1/4W	CARBON	
R312	QRD148J-104S	100K	1/4W	CARBON	

△ : SAFETY PARTS

DIODES

ITEM	PART NUMBER	DESCRIPTION			AREA
				MAKER	
D141	1S2473	SILICON	ROHM		
D142	1S2473	SILICON	ROHM		
D143	1S2473	SILICON	ROHM		
D144	1S2473	SILICON	ROHM		
D145	RD9.1EB3	ZENER	NEC		
D151	1S2473	SILICON	ROHM		
D152	RD5.6EB3	ZENER	NEC		
D153	1S2473	SILICON	ROHM		
D161	1S2473	SILICON	ROHM		
D162	RD5.6EB3	ZENER	NEC		
D163	1S2473	SILICON	ROHM		

△ : SAFETY PARTS

CAPACITORS

ITEM	PART NUMBER	DESCRIPTION			AREA
C010	QCF21HP-223	0.022MF	50V	CERAMIC	
C101	QCF21HP-223	0.022MF	50V	CERAMIC	
C102	QCF21HP-103	0.01MF	50V	CERAMIC	
C103	QCS21HJ-101	100PF	50V	CERAMIC	
C104	QCS21HJ-101	100PF	50V	CERAMIC	
C105	QCS21HJ-221	220PF	50V	CERAMIC	C
C106	QCS21HJ-221	220PF	50V	CERAMIC	C
C107	QCS21HJ-221	220PF	50V	CERAMIC	C
C108	QCS21HJ-221	220PF	50V	CERAMIC	C
C111	QCS21HJ-221	220PF	50V	CERAMIC	C
C112	QCS21HJ-221	220PF	50V	CERAMIC	C
C115	QCS21HJ-221	220PF	50V	CERAMIC	C
C116	QCS21HJ-221	220PF	50V	CERAMIC	C
C119	QCS21HJ-221	220PF	50V	CERAMIC	C
C120	QCS21HJ-221	220PF	50V	CERAMIC	C
C121	QCS21HJ-820	82pF	50V	CERAMIC	C
C122	QCS21HJ-820	82pF	50V	CERAMIC	C
C131	QETB1EM-106	10MF	25V	ELECTRO	C
C151	QFN81HK-103	0.01MF	50V	MYLAR	
C155	QCF21HP-473	0.047MF	50V	CERAMIC	
C156	QCS21HJ-101	100PF	50V	CERAMIC	
C161	QCS21HJ-151	150PF	25V	CERAMIC	
C162	QCS21HJ-151	150PF	10V	CERAMIC	
C163	QETB1EM-106	10MF	50V	ELECTRO	
C164	QETB1AM-107	100MF	50V	ELECTRO	
C201	QCS21HJ-181	180PF	50V	CERAMIC	
C202	QCS21HJ-181	180PF	50V	CERAMIC	
C203	QFN81HK-333	0.033MF	50V	MYLAR	
C204	QFN81HK-333	0.033MF	50V	MYLAR	
C301	QETB1HM-475	4.7MF	50V	ELECTRO	
C302	QETB1HM-475	4.7MF	50V	ELECTRO	
C303	QCS21HJ-101	100PF	50V	CERAMIC	B
C303	QCS21HJ-331	330pF	50V	CERAMIC	C
C304	QCS21HJ-101	100PF	50V	CERAMIC	B
C304	QCS21HJ-471	470PF	50V	CERAMIC	C

△ : SAFETY PARTS

RESISTORS

ITEM	PART NUMBER	DESCRIPTION		AREA
R313	QRD148J-471S	470	1/4W CARBON	
R314	QRD148J-471S	470	1/4W CARBON	
R321	QRD148J-152S	1.5K	1/4W CARBON	
R322	QRD148J-151S	150	1/4W CARBON	
VR201	QVN9A3B-5F5V	250K	VARIABLE	
VR202	QVWA01W-EF5E	250K	VARIABLE	

△ : SAFETY PARTS

OTHERS

ITEM	PART NUMBER	DESCRIPTION		AREA
J101	E11213-002	CIRCUIT BOARD		
J102	EMN00TV-405A	PIN JACK ASSY		
J102	EMN00TV-602A	PIN JACK ASSY		
J103	EMN00TV-402A	PIN JACK ASSY		
J104	EMN00TP-404A	PIN JACK ASSY		
J105	QMS3533-001	JACK ASSY		
J106	E03623-003	DIN SOCKET		
J111	EMV7112-007	SOCKET WIRE		
S101	ESP0001-007	PUSH SWITCH		
S102	ESP0001-007	PUSH SWITCH		
S103	ESP0001-007	PUSH SWITCH		
S104	ESP0001-007	PUSH SWITCH		
S105	QST2101-E09	PUSH SWITCH		
S106	QST2101-E08	PUSH SWITCH		
CF161	ECX0000-400KS	RESONATOR		

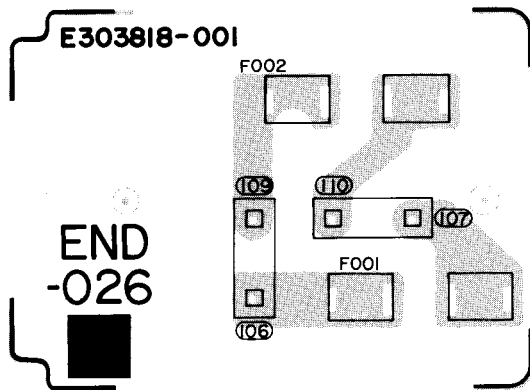
△ : SAFETY PARTS

■ END-026 □ Fuse P.C. Board Ass'y

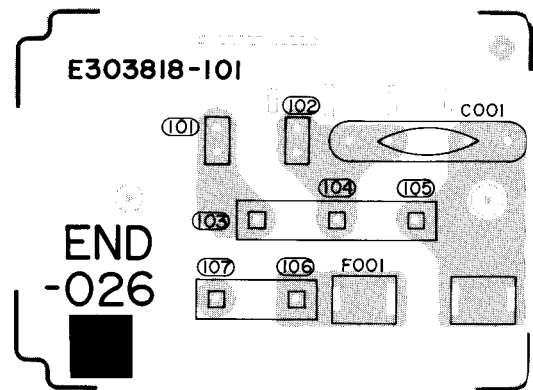
Note: END-026 □ Varies according to the area employed. See note (1) when placing an order.

Note (1)

P.C. Board Ass'y	Designated Areas
END-026 <b>A</b>	Other Countries
END-026 <b>B</b>	Europe, Australia & West Germany
END-026 <b>CBS</b>	U.K.



(for Other Countries)



(for Europe, Australia, U.K. & West Germany)

CAPACITORS

ITEM	PART NUMBER	DESCRIPTION		AREA
C001	QCZ9019-472	4700PF	CERAMIC	B
C001	QCZ9019-472BS	4700PF	CERAMIC	CBS

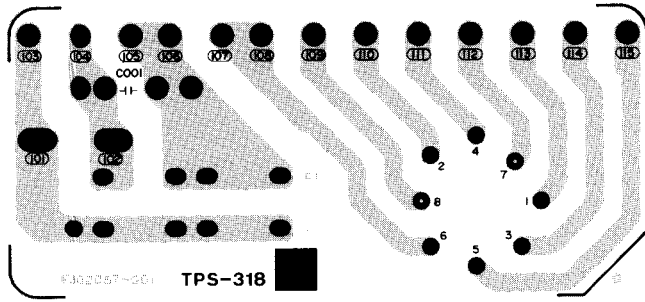
△ : SAFETY PARTS

OTHERS

ITEM	PART NUMBER	DESCRIPTION		AREA
	EMG7331-001	FUSE CLIP		
	E303818-001	CIRCUIT BOARD		A
	E303818-101	CIRCUIT BOARD		B
	E303818-101BS	CIRCUIT BOARD		CBS
	E65508-002	TAB		B
	E65508-002	TAB		CBS
	E67764-202	TERMINAL		
	E67764-203	TERMINAL ASSY		B
	E67764-203	TERMINAL ASSY		CBS

△ : SAFETY PARTS

■ TPS-318 A Voltage Selector P.C. Board Ass'y



CAPACITORS

ITEM	PART NUMBER	DESCRIPTION	AREA
△ C001	QFH53BM-103M	0.01MF 250V M.M.CAPACI	

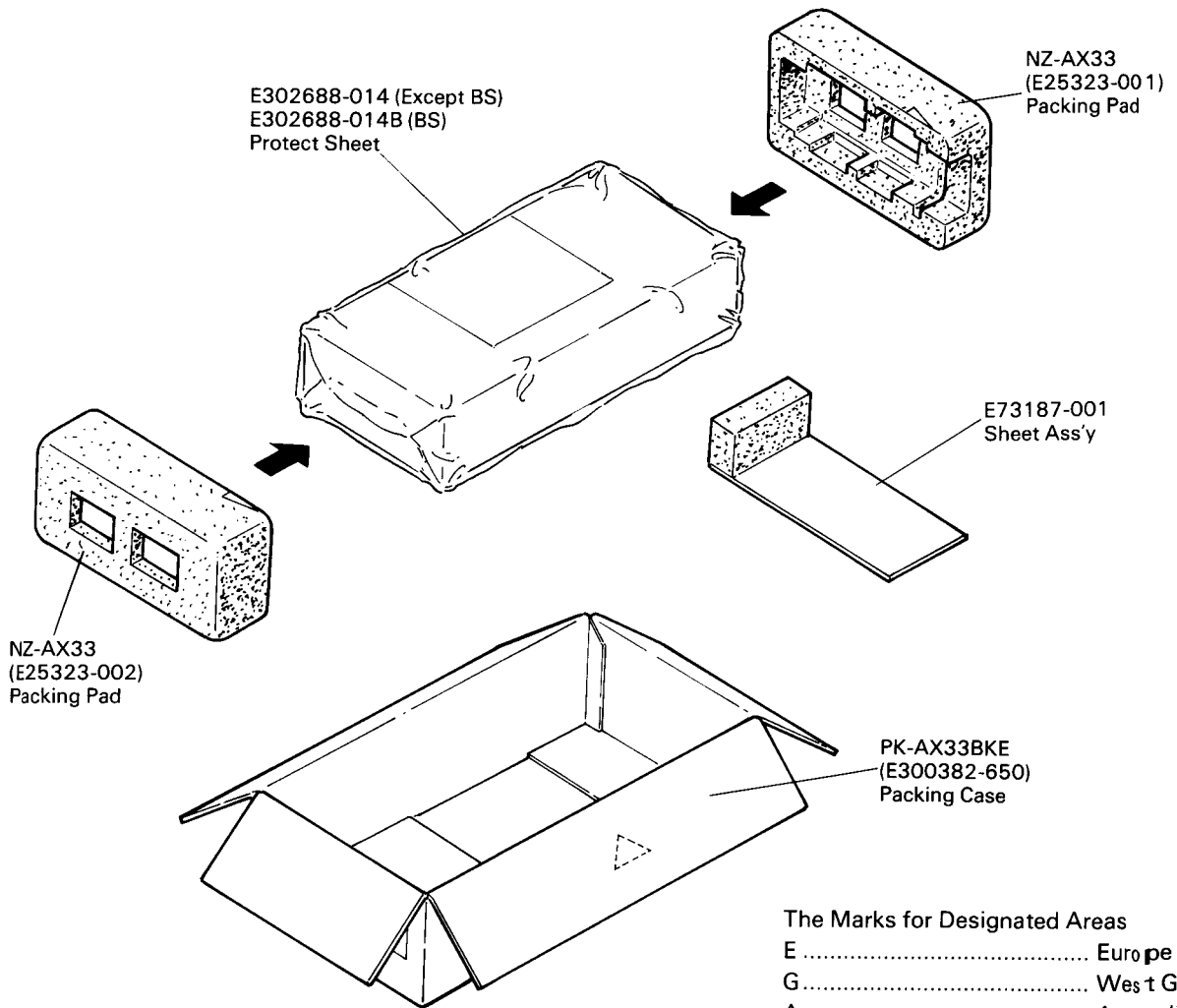
△ : SAFETY PARTS

OTHERS

ITEM	PART NUMBER	DESCRIPTION	AREA
	E302057-001	CIRCUIT BOARD	
	E43727-001	TAB	
	E65508-001	TAB	
△	QMC0637-004	AC SOCKET	
△	QSR0085-006U	VOLTAGE SELECTOR	

△ : SAFETY PARTS

Packing Materials and Part Numbers



The Marks for Designated Areas

- E ..... Europe
  - G ..... West Germany
  - A ..... Australia
  - BS ..... U.K.
  - U ..... Other Countries
- No marks indicates all areas.

# Accessories List

△	Part Number	Part Name	Q'ty	Description	Area
	E30580-1285A	Instruction Book	1		Except BS
	E30580-1285ABS	Instruction Book	1		BS
	BT20064	Warranty Card	1		G
	BT20029C	Warranty Card	1		A
	BT20060	Warranty Card	1		BS
	BT20066	EEC Agency	1		G, BS
	BT20054-006A	FTZ Information	1		G
	E41202-2	Envelope	1		Except BS
	E41202-2B	Envelope	1		BS
	E35497-019	Caution Sheet		220V	U

△: Safety Parts

### The Marks for Designated Areas

- E ..... Europe
- G ..... West Germany
- A ..... Australia
- BS ..... U.K.
- U ..... Other Countries

No marks indicates all areas.

# JVC

## SERVICE MANUAL

### STEREO INTEGRATED AMPLIFIER

MODEL No. **AX-33BK**



## Contents

	Page		Page
Safety Precautions .....	1-2	■ Data Transmission Method .....	1-6
Instruction Book .....		■ Signal Code List .....	1-7
Block Diagram .....	1-3	■ Troubleshooting .....	1-8
Removal and Reassembly Procedures .....	1-4	Schematic Diagram .....	Insertion
■ Removal of the Main P.C. Board .....	1-4	■ AX-33BK Amplifier Section .....	
■ Removal of the Front Panel .....	1-4	■ AX-33BK Power Supply Section .....	
■ Use of New-type Connector .....	1-5	Parts List .....	Separate-Volume Insertion
Adjustment Procedures .....	1-5	Connection Diagram .....	1-9
■ Power Amplifier Idling Current Adjustment .....	1-5		
Guidance to Repairing .....	1-6		
■ IC103 (M50761-304P) Pin Functions .....	1-6		

## Safety Precautions

1. The design of this product contains special hardware, many circuits and components specially for safety purposes.

For continued protection, no changes should be made to the original design unless authorized in writing by the manufacturer. Replacement parts must be identical to those used in the original circuits. Service should be performed by qualified personnel only.

2. Alterations of the design or circuitry of the product should not be made. Any design alterations or additions will void the manufacturer's warranty and will further relieve the manufacturer of responsibility for personal injury or property damage resulting therefrom.
3. Many electrical and mechanical parts in the product have special safety-related characteristics. These characteristics are often not evident from visual inspection nor can the protection afforded by them necessarily be obtained by using replacement components rated for higher voltage, wattage, etc. Replacement parts which have these special safety characteristics are identified in the parts list of Service manual. Electrical components having such features are identified by shading on the schematics and by (  $\Delta$  ) on the parts list in Service manual. The use of a substitute replacement which does not have the same safety characteristics as the recommended replacement part shown in the parts list in Service manual may create shock, fire, or other hazards.
4. The leads in the products are routed and dressed with ties, clamps, tubings, barriers and/or the like to be separated from live parts, high temperature parts, moving parts and/or sharp edges for the prevention of electric shock and fire hazard.

When service is required, the original lead routing and dress should be observed, and they should be confirmed to be returned to normal, after reassembling.

5. Leakage current check  
(Safety for electrical shock hazard)

After reassembling the product, always perform an isolation check on the exposed metal parts of the Products (antenna terminals, knobs, metal cabinet, screw heads, headphone jack, control shafts, etc.) to be sure the pro-

duct is safe to operate without danger of electrical shock.

Do not use a line isolation transformer during this check.

- Plug the AC line cord directly into the AC outlet. Using a "Leakage Current Tester", measure the leakage current from each exposed metal part of the cabinet, particularly any exposed metal part having a return path to the chassis, to a known good earth ground. Any leakage current must not exceed 0.5 mA AC (r.m.s.).

- Alternate check method.

Plug the AC line cord directly into the AC outlet. Use an AC voltmeter having 1,000 ohms per volt or more sensitivity in the following manner. Connect a 1500 $\Omega$  10W resistor paralleled by a 0.15  $\mu$ F AC-type capacitor between an exposed metal part and a known good earth ground.

Measure the AC voltage across the resistor with the AC voltmeter.

Move the resistor connection to each exposed metal part, particularly any exposed metal part having a return path to the chassis, and measure the AC voltage across the resistor. Now, reverse the plug in the AC outlet and repeat each measurement. Any voltage measured must not exceed 0.75V AC (r.m.s.). This corresponds to 0.5 mA AC (r.m.s.).

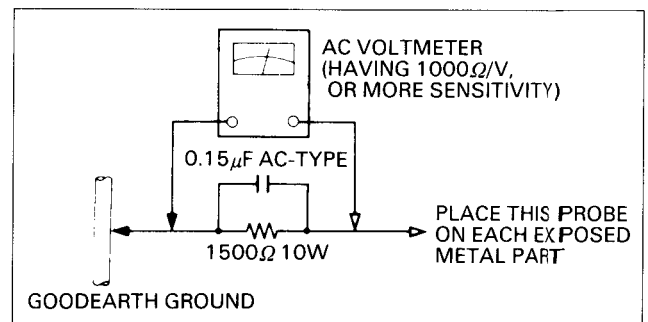
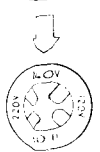


Fig. 1

### CHECKING YOUR LINE VOLTAGE (Except for U.K., Continental Europe and Australia)

Before inserting the power plug, please check this setting to see that it corresponds with the line voltage in your area. If it doesn't be sure to adjust the voltage selector switch to the proper setting before operating this equipment. The voltage selector switch is located on the rear panel.

**CAUTION:** Before selecting the "Voltage selector switch" to proper voltage disconnect the power plug.





**ATTENTION**

Afin d'éviter tout risque de chocs électriques, d'incendie, etc.:

1. Ne pas enlever les vis, les panneaux, ou le coffret de l'appareil.
2. Ne pas exposer cet appareil à la pluie ou à l'humidité.

Tous nos compliments pour vous être procuré cet appareil JVC.

Pour que vous puissiez obtenir les meilleures performances possibles, nous vous recommandons de lire attentivement la présente notice d'emploi avant de commencer à utiliser votre nouvel appareil.

En cas de question, consultez votre revendeur JVC.

**SOMMAIRE**

Important	2
Diagramme des raccordements	6
Panneau avant	10
Système de commande COMPU LINK	12
Fonctionnement	
Écoute d'émissions	16
Écoute de disques	16
Écoute de bandes	16
Utilisation d'un casque d'écoute stéréo	18
Enregistrement de bandes	18
Enregistrement à partir d'autres sources (TUNER, CD/AUX)	18
Copie de bandes	18
Comment utiliser le contrôle auditif lors d'un enregistrement sur la platine d'enregistrement	20
Utilisation de l'égaliseur graphique S.E.A.	20
En cas de difficulté	20
Caractéristiques techniques	22

**IMPORTANT****1. Installation**

- Choisir un endroit plan, sec et ni trop chaud ni trop froid (entre -5°C et 40°C).

**VOORZICHTIG**

Om elektrische schokken, brand, enz. te voorkomen:

1. Worden schroeven, deksel, behuizing niet verwijderd.
2. Wordt het toestel niet aan regen of vocht blootgesteld.

Dank U voor het in dit JVC produkt gestelde vertrouwen.

Lees deze gebruiksaanwijzing vóór ingebruikname van dit toestel aandachtig door ter verkrijging van de beste prestaties.

Raadpleeg Uw JVC dealer in geval van twijfel.

**INHOUDSOPGAVE**

Belangrijk	2
Aansluitschema	6
Frontpaneel	10
COMPU LINK bedieningssysteem	12
Bediening	
Luisteren naar radio-uitzendingen	16
Luisteren naar platen	16
Luisteren naar cassettes	16
Gebruik van een stereo hoofdtelefoon	18
Opnemen van platen	18
Opnemen van andere geluidsbronnen (TUNER, CD/AUX)	18
Kopiëren van cassettes	18
Tijdens opnemen luisteren naar de zojuist gemaakte opname (nabandkontrolle)	20
Gebruik van een S.E.A. graphic equalizer	20
Verhelpen van storingen	20
Technische gegevens	22

**BELANGRIJK****1. Opstelling**

- Kies een droge, niet te warme noch te koude plaats (tussen -5°C en 40°C) voor het apparaat. Zorg ervoor dat het apparaat op een vlakke ondergrond staat.

**PRECAUCION**

Para reducir el riesgo de sacudidas eléctricas, incendio, etc.:

1. No quite los tornillos, las tapas ni el gabinete.
2. No exponga este aparato a la lluvia o a la humedad.

Deseamos, antes que nada, agradecerle por la compra de unos de los productos de JVC.

Antes de poner esta unidad en operación, asegúrese de leer estas instrucciones para, de tal modo, obtener el mayor rendimiento posible.

Cualquier duda o pregunta, sírvase dirigirse a su concesionario JVC.

**INDICE**

Importante	2
Diagrama de conexiones	6
Panel delantero	10
Sistema de control COMPU LINK	12
Operación	
Cómo escuchar radiodifusiones	16
Cómo escuchar discos	16
Cómo escuchar cintas	16
Cómo escuchar a través de auriculares	18
Grabación de cintas	18
Grabación de otras fuentes (TUNER, CD/AUX)	18
Copia de cintas	18
Cómo operar el monitor grabando en el magnetófono	20
Utilización del ecualizador gráfico S.E.A.	20
Detección de averías	20
Especificaciones	22

**IMPORTANTE****1. Instalación**

- Elija un lugar nivelado, seco y no demasiado caliente ni demasiado frío (entre -5°C y 40°C).

- Leave space between the rear of the amplifier and the wall. Good ventilation is needed, especially when the amplifier is driven at high output power. Also, leave space above the top of the amplifier for the same reason when stacking components.
  - Do not allow a carpet, etc., to block the ventilation holes.
  - Do not set it in a place subject to vibrations.
- 2. Power cord**
- Check that the amplifier is set for your local supply voltage and frequency. If not consult the dealer from whom you bought it.
  - When unplugging from the wall outlet, always pull the plug, not the power cord.
- 3. Malfunctions, etc.**
- There are no user serviceable parts inside. If anything goes wrong, unplug the power cord and consult your dealer.
  - Do not insert any metallic object inside the amplifier.
  - Do not allow water to get inside the amplifier.

- Lassen Sie einen Abstand zwischen der Rückseite des Verstärkers und der Wand. Gute Belüftung ist unbedingt erforderlich, besonders wenn der Verstärker mit hoher Lautstärke betrieben wird. Aus diesem Grunde auch nichts oben auf den Verstärker stellen (z.B. andere Komponenten).
  - Vergewissern Sie sich, daß Teppiche usw. die Belüftungsöffnungen nicht blockieren.
  - Das Gerät nicht an einem Ort aufstellen, der Vibrationen ausgesetzt ist.
- 2. Netzkabel**
- Vergewissern Sie sich, daß der Verstärker auf die örtliche Netzspannung und Frequenz eingestellt ist. Wenn dies nicht der Fall ist, wenden Sie sich an den Händler, bei dem Sie das Gerät gekauft haben.
  - Beim Herausziehen des Netzkabels fassen Sie stets am Stecker an und niemals am Kabel selbst.
- 3. Betriebsstörungen etc.**
- Im Inneren des Geräts befinden sich keine Teile, die vom Verbraucher gewartet werden könnten. Bei einer Störung irgenwelcher Art trennen Sie das Netzkabel ab und wenden Sie sich an Ihren JVC-Händler.
  - Keine Metallgegenstände in den Verstärker einführen.
  - Vergewissern Sie sich, daß kein Wasser in den Verstärker eindringt.

**COMPU LINK**  
Control System

COMPU LINK control system is the convenient system using SYNCHRO terminals on the rear panel. For further details, see page 11.

**COMPU LINK**  
Control System

COMPU LINK ist ein nützliches Steuersystem über die SYNCHRO-Ausgänge an der Geräte-rückseite. Für nähere Hinweise siehe Seite 11.

- Laisser un espace entre l'arrière de l'amplificateur et le mur. Une bonne aération est nécessaire, en particulier quand l'amplificateur est entraîné par une haute puissance de sortie. Laisser aussi un espace au-dessus de l'amplificateur pour la même raison quand vous voulez empiler des éléments.
  - Ne pas obstruer les orifices d'aération avec un tapis etc.
  - Ne pas placer l'appareil à un endroit sujet à des vibrations.
- 2. Cordon d'alimentation**
- Vérifier que l'amplificateur est bien réglé sur votre tension secteur. S'il ne l'est pas, consulter le revendeur chez qui vous vous l'êtes procuré.
  - Lors du débranchement de l'appareil, tirer toujours sur la prise et non sur le cordon.
- 3. Mauvais fonctionnements etc.**
- Il n'y a aucune pièce à régler par l'utilisateur à l'intérieur. Si vous avez un problème, débrancher le cordon d'alimentation et consulter votre revendeur.
  - Ne pas insérer d'objet métallique dans l'amplificateur.
  - Ne pas laisser pénétrer d'eau dans l'amplificateur.

- Laat voldoende ruimte vrij aan de achterkant van de versterker. Een goede ventilatie is van vitaal belang vooral als de versterker een groot vermogen levert. Bij het op elkaar zetten van componenten moet boven de versterker en het volgende component vrije ruimte blijven om een goede ventilatie te waarborgen.
  - Let erop dat de ventilatie-openingen niet geblokkeerd worden door een kleedje of iets dergelijks.
  - Zorg ervoor dat het apparaat niet blootstaat aan trillingen.
- 2. Netsnoer**
- Controleer of de versterker is ingesteld voor de plaatselijke netspanning en netfrequentie. Mocht dit niet het geval zijn, raadpleeg dan uw dealer.
  - Trek aan de stekker en niet aan het snoer, als u de stekker uit het stopcontact wilt halen.
- 3. Storingen e.d.**
- In dit apparaat zijn geen onderdelen die door de gebruiker zelf gerepareerd kunnen worden. Mochten storingen optreden, trek dan de stekker uit het stopcontact en raadpleeg uw dealer.
  - Steek nooit een metalen voorwerp in het inwendige van de versterker.
  - Zorg dat er geen water in het inwendige terecht komt.

- Deje un espacio entre la parte trasera del amplificador y la pared. Se requiere buena ventilación, especialmente cuando se opera el amplificador en alta potencia de salida. También, deje espacio sobre la parte superior del amplificador, por la misma razón, cuando apile componentes.
  - No permita que una alfombra, etc., bloquee los orificios de ventilación.
  - No lo coloque en un lugar sujeto a vibraciones.
- 2. Cordón de alimentación**
- Verifique que el amplificador esté regulado con las especificaciones locales de suministro de voltaje y frecuencia. Si no es así, consulte con el concesionario a quien lo compró.
  - Al desenchufarlo del tomacorriente, tire siempre de la clavija y no del cordón mismo.
- 3. Desperfectos, etc.**
- La unidad no posee piezas reparables por el usuario. Si se produce un desperfecto, desenchufe el cordón de alimentación y consulte al concesionario.
  - No inserte ningún objeto metálico en el amplificador.
  - No permita la penetración de agua en el amplificador.

## **COMPU LINK**

### **Control System**

Le système de commande COMPU LINK est un système très pratique utilisant les bornes de synchronisation (SYNCHRO) du panneau arrière. Voir page 12 pour de plus amples renseignements.

## **COMPU LINK**

### **Control System**

Het COMPU LINK bedieningssysteem is een bijzonder handig systeem dat gebruikt maakt van de synchronisatieaansluitingen (SYNCHRO) op het achterpaneel. Zie blz. 12 voor verdere details.

## **COMPU LINK**

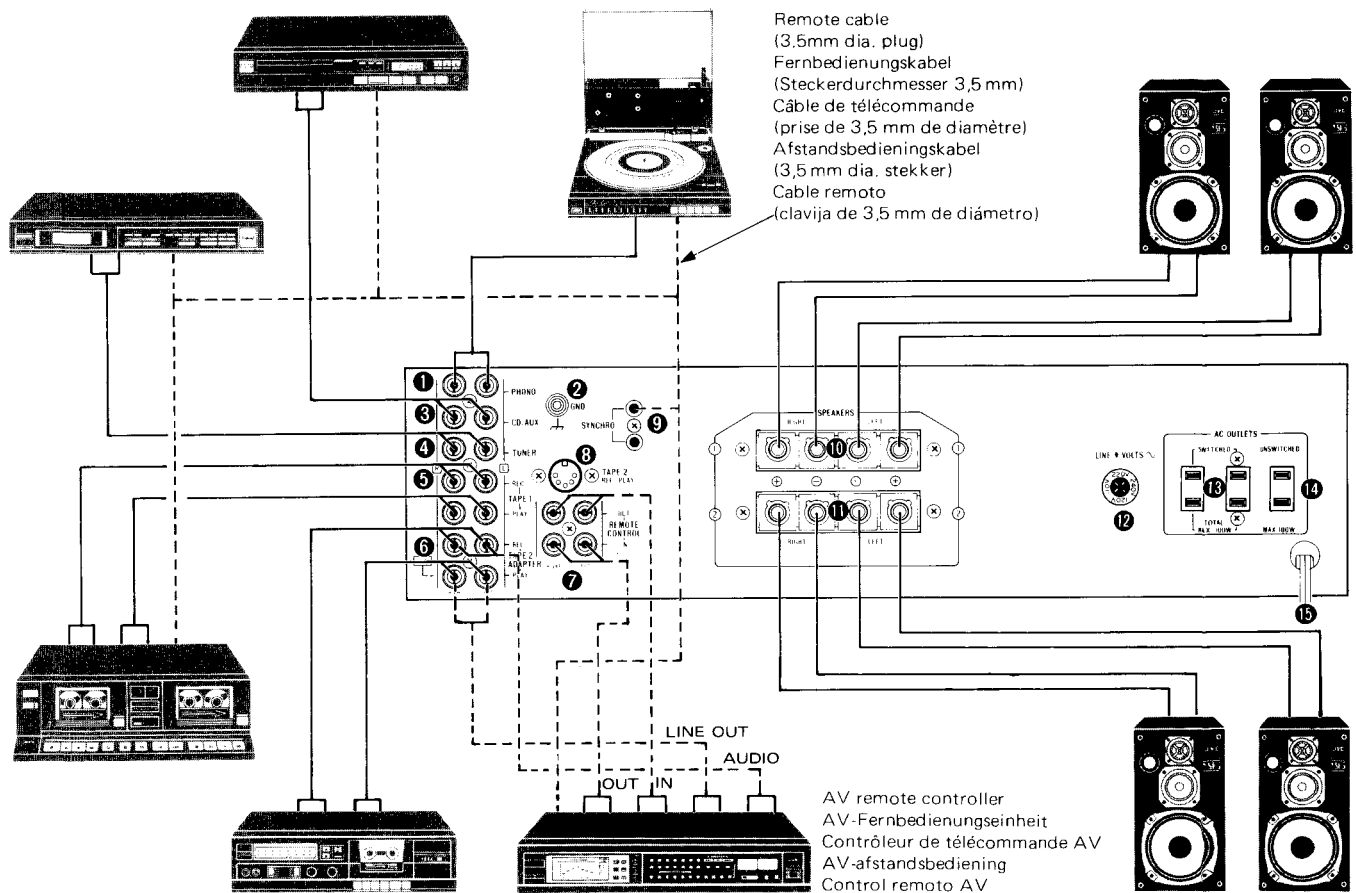
### **Control System**

El sistema de control COMPU LINK es un sistema útil y práctico que utiliza terminales SYNCHRO en el panel posterior. Para mayores detalles, véase la página 12.

CONNECTION DIAGRAM  
 ANSCHLUSSDIAGRAMM  
 SCHEMA DE RACCORDEMENTS  
 AANSLUITINGSSCHEMA  
 DIAGRAMA DE CONEXIONES

- ① PHONO terminals
- ② GND terminal  
If your turntable has a ground lead, connect it to the GND terminal.
- ③ CD/AUX terminals
- ④ TUNER terminals
- ⑤ TAPE 1 terminals  
**Note:**
  - If a cassette deck installed with SYNCHRO terminals is used, connect it to these terminals.
- ⑥ TAPE 2 ADAPTER terminals  
With the AX-33BK, these terminals can also be used for connecting an S.E.A. graphic equalizer.  
**Notes:**
  - If your tape deck is of the three-head type, recording monitoring can be made possible by connecting it to these terminals.
  - Do not connect the remote cable to the tape deck which is connected to the TAPE 2 ADAPTER terminals.
- ⑦ REMOTE CONTROL terminals  
Remove the U-shaped plugs of these terminals.  
It is possible to adjust the volume from a distance by connecting the AV remote controller to these terminals.

- ① Plattenspieler-Buchsen (PHONO)
- ② Masse-Anschluß (GND)  
Wenn Ihr Plattenspieler mit einem Massekabel versehen ist, schließen Sie es am Masse-Anschluß an.
- ③ CD-Plattenspieler-Anschluß (CD/AUX)
- ④ Tuner-Buchsen (TUNER)
- ⑤ Kasette 1-Buchsen (TAPE 1)  
**Hinweis:**
  - Wenn ein Kassettendeck verwendet wird, das mit Synchro-Buchsen ausgestattet ist, es an diesen Buchsen anschließen.
- ⑥ Kasette 2-Adapterbuchsen (TAPE 2 ADAPTER)  
Bei den Modellen AX-33BK können diese Buchsen zum Anschließen eines S.E.A. Graphic Equalizers verwendet werden.  
**Hinweise:**
  - Wenn Ihr Kassettendeck mit drei Tonköpfen ausgerüstet und mit diesen Buchsen verbunden ist, können Aufnahmen mitgehört werden.
  - Das Fernbedienungskabel darf nicht mit dem Kassettendeck verbunden werden, welches an die Kasette 2-Adapterbuchsen (TAPE 2 ADAPTER) angeschlossen ist.
- ⑦ Fernbedienungs-Buchsen (REMOTE CONTROL)  
Die U-förmigen Stecker dieser Buchsen entfernen.  
Wenn die AV-Fernbedienungseinheit an diese Buchsen angeschlossen wird, kann man die Lautstärke mittels Fernbedienung einregulieren.



Remote cable  
(3.5mm dia. plug)  
Fernbedienungskabel  
(Steckerdurchmesser 3,5 mm)  
Câble de télécommande  
(prise de 3,5 mm de diamètre)  
Afstandsbedieningskabel  
(3,5 mm dia. stekker)  
Cable remoto  
(clavija de 3,5 mm de diámetro)

AV remote controller  
AV-Fernbedienungseinheit  
Contrôleur de télécommande AV  
AV-afstandsbediening  
Control remoto AV

- 1 Bornes de platine tourne-disque (PHONO)
- 2 Borne de mise à la terre (GND)  
Si votre platine tourne-disque a un câble de mise à la terre séparé, le raccorder à cette borne.
- 3 Bornes de disque audionumérique (CD/AUX)
- 4 Bornes de syntoniseur (TUNER)
- 5 Bornes de platine d'enregistrement (TAPE 1)

**Remarque:**

• Si on utilise une platine d'enregistrement équipée de bornes de synchronisation (SYNCHRO), connecter la platine à ces bornes.

- 6 Bornes pour platine d'enregistrement 2 (TAPE 2 ADAPTER)  
Avec le AX-33BK, ces bornes peuvent aussi être utilisées pour le raccordement d'un égaliseur graphique S.E.A.

**Remarques:**

• Si on utilise une platine d'enregistrement à trois têtes, il est possible de faire un contrôle auditif de l'enregistrement en connectant la platine à ces bornes.  
• Ne pas connecter le câble de télécommande à la platine d'enregistrement qui est connectée aux bornes TAPE 2 ADAPTER.

- 7 Bornes de télécommande (REMOTE CONTROL)  
Retirer de ces bornes les cavaliers en forme de U.  
Il est possible de régler le volume à distance en connectant le contrôleur de télécommande AV (audio-vidéo) à ces bornes.

- 1 Draaitafelaansluitingen (PHONO)
- 2 Aardaan sluiting (GND)  
Sluit hierop de aarddraad (indien aanwezig) van uw draaifel aan.
- 3 CD/hulpaansluitingen (CD/AUX)
- 4 Tuneraan sluitingen (TUNER)
- 5 Cassette-deck 1 aansluitingen (TAPE 1)

**Opmerking:**

• Wordt een cassette-deck voorzien van synchronisatieaansluitingen (SYNCHRO) gebruikt, sluit het deck dan op deze aansluitingen aan.

- 6 Cassette-deck 2/adapter-aansluitingen (TAPE 2 ADAPTER)  
Bij de AX-33BK kunnen deze aansluitingen eveneens gebruikt worden voor het aansluiten van een S.E.A. graphic equalizer.

**Opmerkingen:**

• Als uw cassette-deck met 3 afzonderlijke koppen is uitgerust, sluit het dan hierop aan. U heeft dan de beschikking over nabandcontrole (tijdens het opnemen luisteren naar de zojuist gemaakte opname).  
• De afstandsbedieningskabel mag niet worden verbonden met het cassette-deck dat op de cassette-deck 2/adapter-aansluitingen (TAPE 2 ADAPTER) is aangesloten.

- 7 Afstandsbediening-aansluitingen (REMOTE CONTROL)  
Alvorens deze aansluitingen te gebruiken moeten de U-vormige steekkers er uit verwijderd worden.  
Wanneer hierop de AV-afstandsbediening wordt aangesloten, kan het volume op afstand worden geregeld.

- 1 Terminales de tocadiscos (PHONO)
- 2 Terminal de puesta a tierra (GND)  
Si su tocadiscos tiene un conductor a tierra, conéctelo al terminal de puesta a tierra (GND).
- 3 Terminales de tocadiscos compacto/auxiliar (CD/AUX)
- 4 Terminales de sintonizador (TUNER)
- 5 Terminales de magnetófono 1 (TAPE 1)

**Nota:**

• Si se utiliza un magnetófono instalado con terminales de sincronización (SYNCHRO), conéctelo a estos terminales.

- 6 Terminales de adaptador de magnetófono 2 (TAPE 2 ADAPTER)  
Con el AX-33BK, estos terminales también pueden utilizarse para conectar un ecualizador gráfico S.E.A.

**Notas:**

• Si su magnetófono es de tipo tres cabezales, puede hacerse un control de grabación conectándolo a estos terminales.  
• No conecte el cable remoto al magnetófono que se encuentra conectado a los terminales de adaptador de magnetófono 2 (TAPE 2 ADAPTER).

- 7 Terminales de control remoto (REMOTE CONTROL)  
Retire las clavijas en forma de U de estos terminales.  
Es posible ajustar el volumen a distancia conectando el controlador remoto AV a estos terminales.

**Note:**

- Do not remove the U-shaped plugs, unless the connection of another unit is required. Without these plugs, no sound is output from the main unit.

- ⑧ TAPE 2 DIN socket
- ⑨ SYNCHRO terminals
- ⑩ SPEAKERS 1 terminals
- ⑪ SPEAKERS 2 terminals
- ⑫ AC line voltage selector (LINE VOLTS)  
(Not provided on units for U.S.A., Canada).  
When this equipment is used in an area where the supply voltage is different from the preset voltage, reset the voltage selector to the correct position.
- ⑬ SWITCHED AC OUTLETS
- ⑭ UNSWITCHED AC OUTLET
- ⑮ Power cord

**Notes:**

1. Connect source components with left and right channels connected correctly. Reversed channels may degrade the stereo effect.
2. Connect speakers with correct polarity: (+) to (+) or (-) to (-). Reversed polarity may degrade the stereo effect.
3. The TAPE 2 ADAPTER terminals and DIN socket are connected in parallel. These cannot be used at the same time.
4. Switch the power off when connecting any component.
5. Connect plugs or wires firmly. Poor contact may result in hum.
6. Use speakers with the correct impedance. This amplifier is for use with an impedance from 8 to 16 ohms.
7. How to connect speakers:  
Unscrew the knurled knobs and insert stripped wire ends. Screw the knobs back firmly and the electrical connection will be sufficient.
8. Do not connect equipment requiring more than the rated power to the AC outlets on the rear panel.
9. The SWITCHED AC outlets are switched off when the front panel power button is switched off.
10. The UNSWITCHED AC outlet is not switched off when the front panel power button is switched off.

**Hinweis:**

- Die U-förmigen Stecker nur entfernen, wenn eine andere Komponente angeschlossen werden soll. Ohne diese Stecker ist keine Tonwiedergabe von der Haupteinheit möglich.

- ⑧ Bandgerät-DIN-Buchse (TAPE 2)
- ⑨ Synchro-Buchsen (SYNCHRO)
- ⑩ Lautsprecher 1-Buchsen (SPEAKERS 1)
- ⑪ Lautsprecher 2-Buchsen (SPEAKERS 2)
- ⑫ Netzspannungs-Wählschalter (LINE VOLTS)  
(An Geräten für USA und Kanada nicht vorhanden). Wenn dieses Gerät in Gebieten benutzt wird, in denen die Netzspannung von der voreingestellten Spannung abweicht, muß der Spannungswählschalter auf die richtige Position eingestellt werden.
- ⑬ Geschaltete Wechselstrom-Steckdosen (SWITCHED AC OUTLETS)
- ⑭ Ungeschaltete Wechselstrom-Steckdosen (UNSWITCHED AC OUTLETS)
- ⑮ Netzkabel

**Hinweise:**

1. Vergewissern Sie sich, daß Komponenten, die linke und rechte Kanäle haben, auch dementsprechend angeschlossen sind. Vertauschte Anschlüsse wirken sich nachteilig auf den Stereo-Effekt aus.
2. Lautsprecher müssen mit korrekter Polarität angeschlossen werden: (+) an (+) und (-) an (-). Vertauschte Anschlüsse wirken sich nachteilig auf den Stereo-Effekt aus.
3. Der TAPE 2 ADAPTER-Anschluß und die DIN-Buchse sind parallel geschaltet und können deswegen nicht gleichzeitig verwendet werden.
4. Vor dem Anschließen von Komponenten stets die Stromzufuhr abschalten.
5. Stecker und Kabel fest einstecken. Ein schlechter Kontakt kann zu Brummgeräuschen führen.
6. Verwenden Sie Lautsprecher mit der korrekten Impedanz. Dieser Verstärker ist für Lautsprecher mit einer Impedanz von 8 bis 16 Ohm vorgesehen.
7. Anschluß der Lautsprecher:  
Die Rändelmuttern lösen und die blanken Kabelenden einführen. Dann die Muttern wieder fest anziehen, womit ein ausreichender Kontakt hergestellt ist.
8. Geräte, deren Leistungsaufnahme höher als die Nennleistung der Steckdosen an der Verstärker-Rückseite ist, dürfen nicht an diese angeschlossen werden.
9. Die geschalteten Steckdosen (SWITCHED OUTLETS) werden abgeschaltet, wenn der Netzschalter an der Frontplatte ausgeschaltet wird.
10. Die ungeschalteten Steckdosen (UNSWITCHED OUTLETS) werden nicht abgeschaltet, wenn der Netzschalter an der Frontplatte ausgeschaltet wird.

**Remarque:**

- Ne retirer les cavaliers en forme de U que dans le cas où il est nécessaire de connecter ces bornes à un autre appareil. Lorsque ces cavaliers sont retirés, aucun son n'est délivré par l'amplificateur.

- 8 Prise DIN de platine d'enregistrement 2 (TAPE 2 DIN)
- 9 Bornes de synchronisation (SYNCHRO)
- 10 Bornes de haut-parleurs 1 (SPEAKERS 1)
- 11 Bornes de haut-parleurs 2 (SPEAKERS 2)
- 12 Sélecteur de tension de ligne CA (LINE VOLTS)  
(Non prévu sur les appareils destinés aux Etats-Unis, au Canada).  
Quand cet appareil est utilisé dans une région où la tension secteur est différente de celle qui est pré réglée, remplacer le sélecteur de tension sur la position correcte.
- 13 Prises CA commutées (SWITCHED AC OUTLETS)
- 14 Prise CA non commutée (UNSWITCHED AC OUTLET)
- 15 Cordon d'alimentation

**Remarques:**

1. Raccorder les éléments de source en faisant attention de bien raccorder les canaux gauche et droit. Des canaux inversés risquent de dégrader l'effet stéréo.
2. Lors du raccordement des haut-parleurs, respecter la polarité, (+) sur (+) et (-) sur (-). Une polarité inversée risque de dégrader l'effet stéréo.
3. Les bornes TAPE 2 ADAPTER et la prise DIN sont raccordées en parallèle et ne peuvent pas être utilisées en même temps.
4. Mettre l'appareil hors tension lors du raccordement d'un appareil quelconque.
5. Raccorder à fond les prises et câbles. Un mauvais contact risque de provoquer des ronflements.
6. Utiliser des haut-parleurs ayant une impédance correcte. L'impédance nominale de cet amplificateur est de 8 à 16 ohms.
7. Raccordement des haut-parleurs: Desserrer les boutons molletés et insérer les extrémités dénudées des câbles. Resserrer les boutons et le raccordement électrique sera fait.
8. Ne pas raccorder d'appareil nécessitant plus d'alimentation que celle qui est spécifiée aux prises CA du panneau arrière.
9. Les prises SWITCHED AC sont mises hors circuit quand la touche d'alimentation du panneau frontal est mis sur la position d'arrêt.
10. La prise UNSWITCHED AC n'est pas mise hors circuit quand la touche d'alimentation du panneau frontal est mis sur la position d'arrêt.

**Opmerking:**

- Verwijder de U-vormige stekkers alleen als u de aansluitingen wenst te gebruiken. Na verwijdering van de stekkers zal er namelijk geen geluidssignaal meer door de versterker worden afgegeven.

- 8 TAPE 2 aansluiting (DIN-type aansluiting)
- 9 Synchronisatie-aansluitingen (SYNCHRO)
- 10 Luidsprekersysteem 1 aansluitingen (SPEAKERS 1)
- 11 Luidsprekersysteem 2 aansluitingen (SPEAKERS 2)
- 12 Spanningskiezer (LINE VOLTS)  
(Niet aanwezig op apparaten bestemd voor de Verenigde Staten en Canada.) Verzet de spanningskiezer als u het apparaat op een andere dan de ingestelde netspanning wenst te gebruiken.
- 13 Indirekte netuitgangen (SWITCHED AC OUTLETS)
- 14 Direkte netuitgang (UNSWITCHED AC OUTLET)
- 15 Netsnoer

**Opmerkingen:**

1. Zorg dat het linker en rechter kanaal van de geluidsbronnen op het korresponderende kanaal van de versterker wordt aangesloten. Verkeerde aansluitingen resulteren in een inferior stereo-effect.
2. Let op de polariteit bij het aansluiten van de luidsprekersnoeren, d.w.z. (+) naar (+) en (-) naar (-). Omgekeerde polariteit resulteert in een inferior stereo-effect.
3. De TAPE 2 ADAPTER aansluitingen en de DIN-aansluiting staan parallel met elkaar in verbinding. Deze aansluitingen kunnen niet tegelijkertijd gebruikt worden.
4. Schakel alle apparaten uit alvorens te beginnen met het maken van de aansluitingen.
5. Steek de stekkers stevig in de aansluitbussen en maak de aansluitdraden goed vast. Een losse contact kan brom tot gevolg hebben.
6. Gebruik luidsprekers met de juiste impedantie. Op deze versterker kunnen luidsprekers met een impedantie van 8 tot 16 Ohm worden aangesloten.
7. Aansluiten van de luidsprekers:  
Draai de uitstekende knopjes los en steek de vrijgemaakte draadeinden naar binnen. Draai de knopjes weer vast. De draad zal nu goed contact maken.
8. Sluit op de netuitgangen op het achterpaneel geen apparaten aan met een opgenomen vermogen dat hoger is dan de opgegeven waarde.
9. De stroomvoorziening naar de indirecte (SWITCHED) netuitgangen vervalt als de netschakelaar op het frontpaneel op uit wordt gezet.
10. De stroomvoorziening naar de directe (UNSWITCHED) netuitgang blijft gehandhaafd nadat de netschakelaar op het frontpaneel op uit is gezet.

**Nota:**

- No retire las clavijas en forma de U, a menos que se requiera la conexión de otra unidad. Sin estos enchufes, no se emite sonido de la unidad principal.

- 8 Toma DIN para TAPE 2
- 9 Terminales de sincronización (SYNCHRO)
- 10 Terminales de altavoces 1 (SPEAKERS 1)
- 11 Terminales de altavoces 2 (SPEAKERS 2)
- 12 Selector de voltaje de línea CA (LINE VOLTS)  
(No provisto en las unidades de EE.UU., Canadá). Cuando se utilice este equipo en un área en que el suministro de voltaje sea diferente del voltaje prefijado, regule el selector de voltaje a la posición correcta.
- 13 Enchufes de CA con conmutador (SWITCHED AC OUTLETS)
- 14 Enchufes de CA sin conmutador (UNSWITCHED AC OUTLET)
- 15 Cordón de alimentación

**Notas:**

1. Conecte los componentes de fuente con los canales izquierdo y derecho conectados correctamente. La inversión de los canales puede degradar el efecto estereo.
2. Conecte los altavoces con las polaridades correctas: (+) a (+) o (-) a (-). La inversión de las polaridades degradará el efecto estereo.
3. Los terminales TAPE 2 ADAPTER y la toma DIN están conectados en paralelo. Por lo tanto, no se pueden utilizar al mismo tiempo.
4. Apague el aparato cuando conecte cualquier componente.
5. Conecte firmemente las clavijas o cables.
6. Utilice los altavoces con la impedancia correcta. Este amplificador se utiliza con una impedancia de 8 a 16 ohms.
7. Cómo conectar los altavoces:  
Desentornille las perillas moleteadas e inserte los extremos de cable sueltos. Vuelva a entornillar firmemente las perillas y la conexión eléctrica será suficiente.
8. No conecte equipos que requieran más de la potencia nominal a las slidas CA en el panel trasero.
9. Los enchufes con conmutador CA (SWITCHED AC) se desconectan al apagar el botón de energía del panel delantero.
10. El enchufe sin conmutador CA (UNSWITCHED AC) no se desconecta al apagar el botón de energía del panel delantero.

FRONT PANEL  
FRONTPLATTE  
PANNEAU AVANT  
BEDIENINGSORGANEN  
VAN HET VOORPANEEL  
PANEL DELANTERO

**1 POWER**

**ON (⏻):** Press the button to turn the power on, and the TUNER indicator (see 8) lights. The protection circuit functions for a few seconds after the indicator lights and during this period no sound is produced from the speakers.

**OFF (⏻):** Press the button again to turn the power off.

**2 POWER LEVEL INDICATOR**

LED lights according to the output.

**3 SOURCE INDICATOR**

The indicator corresponding to the source select button pressed lights.

**4 TAPE 2 MONITOR/ADAPTER indicator**

This indicator lights, when the TAPE 2 MONITOR/ADAPTER button is pressed.

**5 TAPE 1**

Press to listen to a tape deck connected to the TAPE 1 terminals.

**6 PHONO**

Press to listen to records played by a turntable connected to the PHONO terminals.

**7 CD/AUX**

Press to listen to the source connected to the CD/AUX terminals.

**8 TUNER**

Press to listen to radio broadcasts by a tuner connected to the TUNER terminals.

**9 VOLUME**

Controls the volume of the speakers and headphones.

**1 Netzschalter (POWER)**

**Ein (ON) (⏻):** Diese Taste drücken, um die Stromversorgung einzuschalten; der Tuner-Indikator (TUNER) (siehe 8) leuchtet auf. Der Schutzschaltkreis wird für einige Sekunden aktiviert, und während dieser Zeit ist von den Lautsprechern kein Ton zu hören.

**Aus (OFF) (⏻):** Die Taste noch einmal drücken, um die Stromversorgung abzuschalten.

**2 Leistungspegel-Indikator (POWER LEVEL INDICATOR)**

Die Flüssigkeitskristall-Anzeige leuchtet je nach Leistungsabgabe.

**3 Signalquellen-Indikator (SOURCE INDICATOR)**

Die entsprechende Taste der gewählten Signalquelle leuchtet auf.

**4 Kasette 2-Monitor/Adapter Indikator (TAPE 2 MONITOR/ADAPTER)**

Dieser Indikator leuchtet auf, wenn die Kasette 2-Monitor/Adapter-Taste (TAPE 2 MONITOR/ADAPTER) gedrückt wird.

**5 Kasette 1 (TAPE 1)**

Diese Taste drücken, um ein Kassettendeck zu aktivieren, das an die Kasette 1-Buchsen (TAPE 1) angeschlossen ist.

**6 Plattenspieler (PHONO)**

Diese Taste drücken, um einen Plattenspieler zu aktivieren, der an die Plattenspieler-Buchsen (PHONO) angeschlossen ist.

**7 CD-Plattenspieler (CD/AUX)**

Diese Taste drücken, um die Signalquelle zu aktivieren, die an die CD-Plattenspieler-Buchsen (CD/AUX) angeschlossen ist.

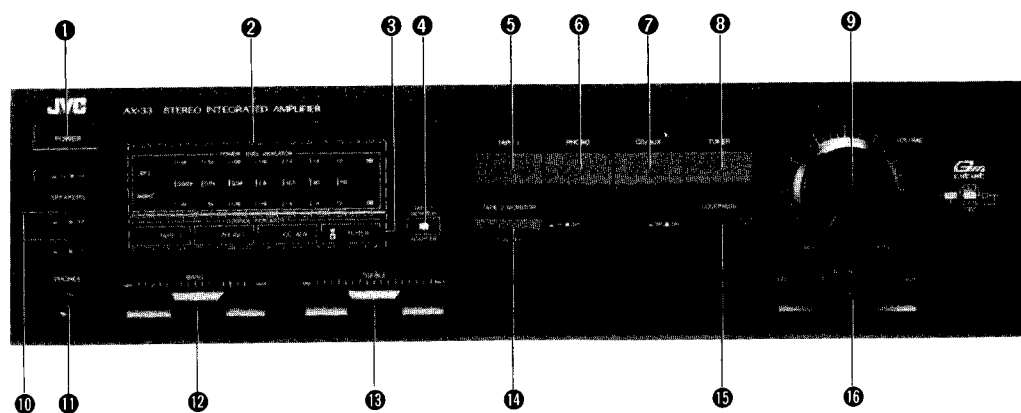
**8 Tuner (TUNER)**

Diese Taste drücken, um Radiosendungen über einen Tuner zu empfangen, der an die Tuner-Buchsen (TUNER) angeschlossen ist.

**9 Lautstärke (VOLUME)**

Die Lautstärke der Lautsprecher und der Kopfhörer wird hier eingestellt.





### 1 Interrupteur d'alimentation (POWER)

**Position ON (■):** Appuyer sur cet interrupteur pour mettre l'appareil sous tension, l'indicateur TUNER (voir 3) s'allume. Le circuit de protection entre en action pendant quelques secondes après que l'indicateur se soit allumé et durant cette période aucun son n'est délivré par les enceintes.

**Position OFF (■):** Appuyer une nouvelle fois sur cet interrupteur pour mettre l'appareil hors tension.

### 2 Indicateur de niveau d'alimentation (POWER LEVEL INDICATOR)

L'LED s'allume suivant le débit.

### 3 Indicateurs de source (SOURCE INDICATOR)

L'indicateur correspondant au sélecteur de source enfoncé s'allume.

### 4 Indicateur de platine d'enregistrement 2 (TAPE 2 MONITOR/ADAPTER)

Cet indicateur s'allume lorsque la touche TAPE 2 MONITOR/ADAPTER est enfoncée.

### 5 Platine d'enregistrement 1 (TAPE 1)

L'enfoncer pour écouter la platine d'enregistrement raccordée aux bornes TAPE 1.

### 6 Platine tourne-disque (PHONO)

L'enfoncer pour écouter des disques joués par une platine raccordée aux bornes PHONO.

### 7 Commutateur de lecteur de disque audio-numérique (CD/AUX)

L'enfoncer pour écouter la source raccordée aux bornes CD/AUX.

### 8 Syntoniseur (TUNER)

L'enfoncer pour écouter des émissions radio sur un syntoniseur (TUNER) raccordé aux bornes TUNER.

### 9 Commande de volume (VOLUME)

Pour contrôler le volume des haut-parleurs et du casque d'écoute.

### 1 Netschakelaar (POWER)

**ON (■):** Druk de toets in deze stand om het apparaat in te schakelen. De tuner-indikator (TUNER) (zie 3) zal nu oplichten en het beveiligingscircuit treedt voor een paar seconden in werking. Gedurende die tijd zal er geen geluid via de luidsprekers worden weergegeven.

**OFF (■):** Druk de toets nogmaals in om het apparaat uit te schakelen.

### 2 Vermogensindikator (POWER LEVEL INDICATOR)

Deze LED's geven het uitgestuurde vermogen aan.

### 3 Geluidsbronindikator (SOURCE INDICATOR)

De indikator die correspondeert met de ingedrukte geluidsbrontoets zal oplichten.

### 4 Cassette-deck 2 monitor/adapter-indikator (TAPE 2 MONITOR/ADAPTER)

Bij het indrukken van de cassette-deck 2 monitor/adaptertoets (TAPE 2 MONITOR/ADAPTER) zal deze indikator oplichten.

### 5 Cassette-deck 1 toets (TAPE 1)

Druk op deze toets om te luisteren naar het cassette-deck aangesloten op de cassette-deck 1 aansluitingen (TAPE 1).

### 6 Draaitafeltoets (PHONO)

Druk op deze toets om te luisteren naar de draaitafel aangesloten op de draaitafel-aansluitingen (PHONO).

### 7 CD/hulpingangstoets (CD/AUX)

Druk op deze toets om te luisteren naar de geluidsbron aangesloten op de CD/hulpaansluitingen (CD/AUX).

### 8 Tunertoets (TUNER)

Druk op deze toets om te luisteren naar de tuner aangesloten op de tuneraansluitingen (TUNER).

### 9 Volumeregelaar (VOLUME)

Gebruik deze regelaar voor het instellen van het volume van de luidsprekers en de hoofdtelefoon.

### 1 Alimentación (POWER)

**ON (■):** Oprima el botón para encender, y el indicador TUNER (vea 3) se ilumina. El circuito de protección funciona por unos segundos después de que el indicador se ilumina y durante este período los altavoces no producen sonido.

**OFF (■):** Presione nuevamente el botón para apagar la unidad.

### 2 Indicador de nivel de alimentación (POWER LEVEL INDICATOR)

Se ilumina el LED de acuerdo a la salida.

### 3 Indicador de fuente (SOURCE INDICATOR)

El indicador correspondiente al botón de selección de fuente presionado se ilumina.

### 4 Indicador de monitor/adaptador de magnetófono 2 (TAPE 2 MONITOR/ADAPTER)

Este indicador se ilumina cuando se presiona el botón TAPE 2 MONITOR/ADAPTER.

### 5 Magnetófono 1 (TAPE 1)

Presione este botón para escuchar el magnetófono conectado a los terminales TAPE 1.

### 6 Tocar discos (PHONO)

Presione este botón para escuchar los discos ejecutados en el tocadiscos conectado a los terminales PHONO.

### 7 Conmutador de disco compacto (CD/AUX)

Presione para escuchar la fuente conectada a los terminales CD/AUX.

### 8 Sintonizador (TUNER)

Presione este botón para escuchar las emisiones de radio captadas por el sintonizador conectado a los terminales TUNER.

### 9 Volumen (VOLUME)

Controla el volumen de los altavoces y auriculares.

**10 SPEAKERS**

Press to button the speakers connected to the SPEAKERS 1 or 2 terminals on ( — ) and off ( ■ ).

**Note:**

- When speakers are connected to only one system of the SPEAKERS terminals, press only the SPEAKERS button of the system connected; if both buttons are pressed, sound will not be heard from either speaker system. When two pairs of speakers are connected and either or both SPEAKERS buttons is/are pressed, sound will be heard from either or both speaker system(s).

**11 PHONES (Headphones jack)**

Plug stereo headphones into this jack for private listening.

**12 BASS**

Slide to the right to boost bass response, to the left to decrease it.

**13 TREBLE**

Slide to the right to boost treble response, to the left to decrease it.

**14 TAPE 2 MONITOR/ADAPTER**

Press to listen to a tapedeck connected to the TAPE 2 ADAPTER terminals.

**15 LOUDNESS**

Press this button ON ( — ) to compensate for the ear's different sensitivity to sound at low volumes.

**16 BALANCE**

Balances the volume between the left and right speakers. Usually set it to the center click position.

**10 Lautsprecher (SPEAKERS)**

Diese Taste drücken, um die Lautsprecher, die an die Lautsprecher-Buchsen 1 oder 2 angeschlossen sind, ein-(ON) ( — ) oder auszuschalten (OFF) ( ■ ).

**Hinweis:**

- Wenn die Lautsprecher nur an eine der beiden Lautsprecher-Buchsensysteme (SPEAKERS) angeschlossen sind, nur die Lautsprecher-Taste des verbundenen Systems drücken — wenn beide Tasten gedrückt werden, ist von keinem der beiden Lautsprecher-Systeme eine Klangwiedergabe möglich. Wenn zwei Lautsprecherpaare angeschlossen sind, und eine bzw. beide Lautsprecher-Tasten (SPEAKERS) gedrückt werden, erfolgt die Klangwiedergabe von einem bzw. beiden Lautsprechern.

**11 Kopfhörer (PHONES) (Kopfhörer-Anschluß)**

Für ungestörtes Hören schließen Sie Ihren Stereo-Kopfhörer an diese Buchse an.

**12 Tiefen (BASS)**

Durch Schieben dieses Schalters nach rechts werden die Tiefen angehoben, durch Schieben nach links abgesenkt.

**13 Höhen (TREBLE)**

Durch Schieben dieses Schalters nach rechts werden die Höhen angehoben, durch Schieben nach links abgesenkt.

**14 Kassette 2-Monitor/Adapter (TAPE 2 MONITOR/ADAPTER)**

Diese Taste drücken, um ein Kassettendeck zu aktivieren, das an die Kassette 2 Adapter-Buchsen (TAPE 2 ADAPTER) angeschlossen ist.

**15 Konturen (LOUDNESS)**

Drücken Sie diese Taste, um für die unterschiedliche Tonempfindlichkeit des Gehörs bei niedriger Lautstärke zu kompensieren.

**16 Balanceregler (BALANCE)**

Dient zum Ausgleich der Lautstärke zwischen linken und rechten Lautsprechern. Wird normalerweise in der Mittelposition eingerastet.

## COMPU LINK CONTROL SYSTEM

COMPU LINK is a convenient system which has been originated and developed by JVC. The following are the brief explanations of its major performances:

**Automatic Source Selection**

If the attached remote cable is used to connect this unit to other components installed with synchro terminals, sources can be switched over with just one touch of this unit's source selector buttons and the corresponding component will start to play automatically. The source select button of the remote control unit or the appropriate component's activation button may also be used.

When switching over from one component to another, such as the cassette deck, turntable or CD player, the previous component will stop playing after about five seconds.

## COMPU LINK- STEUERSYSTEM

COMPU LINK ist ein von JVC entwickeltes Steuersystem mit den folgenden Merkmalen:

**Automatische Signalquellen-Wahl**

Wenn dieses Gerät mit dem mitgelieferten Fernbedienungskabel an andere Komponenten, die mit Synchro-Buchsen ausgestattet sind, angeschlossen wird, kann mit nur einem Druck auf die Signalquellen-Wahltaste dieses Geräts auf eine andere Signalquelle umgeschaltet werden, die dann automatisch aktiviert wird. Der Signalquellen-Wahlschalter der Fernbedienungseinheit oder die entsprechende Einschalt-Taste der angeschlossenen Komponenten kann dazu ebenfalls verwendet werden.

Wenn von einer Komponente zur anderen umgeschaltet wird, (z.B. von oder zu einem Kassettendeck, Plattenspieler oder CD-Plattenspieler), schaltet sich das deaktivierte Gerät nach etwa 5 Sekunden automatisch aus.

**10 Haut-parleurs (SPEAKERS)**

Les enfoncer pour commuter en ( — ) et hors ( ■ ) circuit les bornes SPEAKERS 1 ou 2.

**Remarque:**

• **Quand les haut-parleurs ne sont raccordés qu'à une paire de bornes SPEAKERS, n'enfoncer que la touche du système raccordé, si les deux commutateurs sont enfoncés, le son ne sera audible d'aucun système. Quand les deux paires sont raccordées et que l'un des la touche SPEAKERS ou les deux sont enfoncés, le son sera audible soit d'un système de haut-parleurs, soit des deux.**

**11 Casque d'écoute (PHONES)**

Brancher un casque stéréo sur cette prise pour une écoute privée.

**12 Basses (BASS)**

La coulisser vers la droite pour suramplifier la réponse des basse et vers la gauche pour la diminuer.

**13 Aiguës (TREBLE)**

La coulisser vers la droite pour suramplifier la réponse des aiguës et vers la gauche pour la diminuer.

**14 Platine d'enregistrement 2 (TAPE 2 MONITOR/ADAPTOR)**

L'enfoncer pour écouter la platine d'enregistrement raccordée aux bornes TAPE 2 ADAPTER

**15 Contour (LOUDNESS)**

Enfoncer ce commutateur ( — ) pour compenser la sensibilité différente de l'oreille à de faibles volumes.

**16 Balance (BALANCE)**

Pour équilibrer le volume entre les haut-parleurs de gauche et de droite. La placer normalement sur sa position centrale à déclin.

**10 Luidsprekertoetsen (SPEAKERS)**

Gebruik deze toetsen voor het inschakelen ( — ) en uitschakelen ( ■ ) van de luidsprekers aangesloten op de luidspreker-aansluitingen (SPEAKERS 1 en 2)

**Opmerking:**

• **Als slechts een luidsprekerpaar op de luidsprekeraansluitingen (SPEAKERS) is aangesloten, dient ook alleen maar de daarmee korresponderende luidsprekertoets (SPEAKERS) te worden ingedrukt. Mochten beide toetsen ingedrukt worden, dan zal er geen geluid worden weergegeven. Wanneer twee luidsprekerparen zijn aangesloten, zullen deze ook beide werken bij het indrukken van beide luidsprekertoetsen (SPEAKERS).**

**11 Hoofdtelefoonaansluiting (PHONES)**

Hierop kan een stereo hoofdtelefoon worden aangesloten om te luisteren zonder anderen te storen.

**12 Lagetonenregelaar (BASS)**

Schuif deze regelaar naar rechts voor het ophalen en naar links voor het verzwakken van de lage tonen.

**13 Hogetonenregelaar (TREBLE)**

Schuif deze regelaar naar rechts voor het ophalen en naar links voor het verzwakken van de hoge tonen.

**14 Cassettedeck 2 monitor/adaptor-toets (TAPE 2 MONITOR/ADAPTER)**

Druk op deze toets om te luisteren naar het cassettedeck aangesloten op de cassettedeck 2/adaptor-aansluitingen (TAPE 2 ADAPTER).

**15 Contourtoets (LOUDNESS)**

Druk deze toets bij het luisteren met laag volume in ( — ) om te compenseren voor de veranderde gevoeligheid van het menselijk gehoor bij geringe geluidssterkte.

**16 Balansregelaar (BALANCE)**

Regel hiermee het volume van de linker en rechter luidspreker tegen elkaar af. Gewoonlijk dient de regelaar in het midden (klikstand) te staan.

**10 ALTAVOCES (SPEAKERS)**

Presione el botón conectado a los terminales SPEAKERS 1 ó 2 conectado ( — ) y desconectado ( ■ ).

**Nota:**

• **Cuando se conectan los altavoces solamente a un sistema de los terminales SPEAKERS, presione sólo el botón SPEAKERS del sistema conectado; si se presionan ambos botones, no se escuchará ningún sonido del sistema de altavoces. Cuando se conectan dos pares de altavoces y uno o ambos de los botones SPEAKERS se presiona, se emitirá sonido de uno o ambos sistemas de altavoces.**

**11 Toma de auriculares (PHONES)**

Enchufe auriculares estéreo en esta toma para escuchar en privado.

**12 Bajos (BASS)**

Deslice a la derecha para aumentar la respuesta de bajo, a la izquierda para disminuirlo.

**13 Agudos (TREBLE)**

Deslice a la derecha para aumentar la respuesta de agudos, a la izquierda para disminuirlo.

**14 Monitor/adaptador de magnetófono 2 (TAPE 2 MONITOR/ADAPTER)**

Presione este botón para escuchar un magnetófono conectado a los terminales TAPE 2 ADAPTER.

**15 Intensidad (LOUDNESS)**

Presione este botón ON ( — ) para compensar la diferente sensibilidad del oído al sonido en bajos volúmenes.

**16 Equilibrio (BALANCE)**

Se utiliza para equilibrar el volumen entre los altavoces izquierdo y derecho. Generalmente se fija en la posición central.

## SYSTEM DE COMMANDE COMPU LINK

Le système COMPU LINK est un système très pratique qui a été inventé et développé par JVC. Les lignes qui suivent donnent une brève explication de ses caractéristiques principales:

**Sélection de Source Automatique**

Si le câble de commande à distance fourni est employé pour raccorder d'autres éléments dotés de bornes de SYNCHRO, les sources peuvent être changées avec un seul appui sur le sélecteur de source de cette unité et l'élément correspondant commencera automatiquement à fonctionner. On peut également avoir recours à la touche de sélection de source sur la commande à distance ou la touche appropriée sur l'élément concerné.

Combinaison de cet appareil à d'autres éléments dotés de bornes de synchronisation pour appel direct.

Lors de la commutation d'un élément à un autre, (platine à cassette tourne-disques, ou platine CD par exemple) l'élément commuté s'arrête au bout de cinq seconds environ.

## COMPU LINK BEDIENINGSSYSTEEM

COMPU LINK is een bijzonder handig systeem dat door JVC is uitgedacht en ontwikkeld. Hieronder volgt een korte beschrijving van de voornaamste kenmerken van dit systeem:

**Automatische geluidsbronselectie**

Als dit apparaat d.m.v. de bijgeleverde afstandsbedieningskabel op de synchronisatie aansluitingen van de andere componenten wordt aangesloten, kan op een andere geluidsbron worden overgeschakeld door een enkele druk op de korresponderende geluidsbrontoets van de versterker. Het is eveneens mogelijk hiervoor de geluidsbrontoetsen op de afstandsbediening te gebruiken of gewoon op de vereiste functietoetsen van het gewenste component te drukken. Er zal dan automatisch op het betreffende component worden overgeschakeld.

Bij het overschakelen op een andere component, zoals van het cassettedeck naar de CD-speler, zal het ongeveer vijf seconden duren alvorens de weergave van het eerste component stopt.

## SISTEMA DE CONTROL COMPU LINK

COMPU LINK es un sistema útil y práctico, el cual ha sido concebido y desarrollado por JVC. A continuación se da una breve explicación de sus características más resaltantes:

**Selección automática de fuente**

Si el cable remoto anexo se utiliza para conectar esta unidad a otros componentes instalados con terminales sincro, las fuentes pueden cambiarse solamente con un toque de estos botones selectores de fuente de esta unidad y el componente correspondiente comenzará a tocar automáticamente. También puede utilizarse el botón selector de fuente de la unidad de control remoto o el botón de activación del componente apropiado.

Cuando cambie de un componente a otro, tal como a magnetófono, tocadiscos o tocadiscos compacto, el componente anterior dejará de ejecutar después de aproximadamente cinco segundos.

**Synchronized Recording**

Synchronized recording refers to the process whereby the cassette deck automatically commences recording, in synchronization with the CD player or turntable.

Set the cassette deck to REC/PAUSE mode according to the procedures in the instruction manual.

When synchronously recording with CD player, push the PLAY button on CD player.

The cassette deck enters the record mode the moment the CD player starts and synchronized recording commences.

Synchronized recording stops automatically when the CD player stops playing.

To cancel synchronized recording, push the STOP button of CD player, turntable or the cassette deck.

**Notes:**

- When the REC/PAUSE mode is set by pushing PAUSE after depressing the REC and PLAY buttons simultaneously, synchronized recording is not possible. For details, refer to your cassette deck's instruction manual.
- Abnormal operation will result if the power supply of one of the components is interrupted halfway. If this happens, push the activation button again to restart.
- Ensure that the SYNCHRO terminal of each component is connected with the attached remote cable. Be sure to read the instruction manual for each component very carefully.
- The source is locked to CD/AUX or PHONO position during synchronized recording to avoid accidental stops or changing to another source. To change the source, first cancel the synchronized recording.

**Caution:**

When a component (such as a cassette deck) is connected to the TAPE 2 ADAPTER terminals of the amplifier, do not connect the SYNCHRO terminals of the amplifier, do not connect the SYNCHRO terminals of such component to any other component with a remote cable.

**Synchronisiertes Aufnehmen**

Bei einem synchronisiertem Aufnahme-Vorgang beginnt das Kassettendeck die Aufnahme automatisch und simultan mit dem Start des Plattenspielers oder CD-Plattenspielers.

Am Kassettendeck die Aufnahme/Pause-Funktion (REC/PAUSE) wie in der Bedienungsanleitung beschrieben einstellen.

Bei Synchron-Aufnahmen von einem CD-Plattenspieler die Wiedergabe-Taste (PLAY) am CD-Plattenspieler drücken. Das Kassettendeck schaltet in demselben Moment auf Aufnahme, in dem der CD-Plattenspieler zu spielen beginnt, und der synchronisierte Aufnahmevorgang fängt an.

Wenn der CD-Plattenspieler stoppt, wird auch der synchronisierte Aufnahmevorgang automatisch beendet.

Um den synchronisierten Aufnahmevorgang zu annullieren, die Stopp-Taste (STOP) des CD-Plattenspielers, des Plattenspielers oder des Kassettendecks drücken.

**Hinweise:**

- Wenn die Aufnahme/Pause-Funktion (REC/PAUSE) durch Drücken der Pausen-Taste (PAUSE) eingestellt wird, nachdem die Aufnahme-Taste (REC) und die Wiedergabe-Taste (PLAY) gleichzeitig gedrückt wurden, ist ein synchronisiertes Aufnehmen nicht möglich. Näheres finden Sie in der Bedienungsanleitung des Kassettendecks.
- Ein Stromausfall in einem der Komponenten während der Aufnahme hat einen inkorrekten Aufnahmevorgang zur Folge. In diesem Fall muß die entsprechende Bedienungstaste noch einmal gedrückt werden.
- Vergewissern Sie sich, daß die Synchro-Buchsen (SYNCHRO) eines jeden Komponenten an dem mitgelieferten Fernbedienungskabel angeschlossen sind. Lesen Sie die Bedienungsanleitung einer jeden Komponente sorgfältig durch.
- Die Signalquelle ist während des synchronisierten Aufnahmevorgangs auf der CD-Plattenspieler-(CD/AUX) oder der Plattenspieler-Funktion (PHONO) fixiert, um ein unbeabsichtigtes Anhalten oder ein Wechseln zu einer anderen Signalquelle zu verhindern. Um zu einer anderen Signalquelle umzuschalten, muß erst der synchronisierte Aufnahmevorgang annulliert werden.

**ACHTUNG:**

Wenn eine Komponente (wie z.B. ein Kassettendeck) an die Kassette 2 Adapter-Buchsen (TAPE 2 ADAPTER) des Verstärkers angeschlossen sind, dürfen die Synchro-Buchsen (SYNCHRO) des Verstärkers nicht belegt werden; auch die Synchro-Buchsen (SYNCHRO) der Komponente dürfen nicht mit einem anderen Gerät durch ein Fernbedienungskabel verbunden werden.

**Enregistrement synchronisé**

L'enregistrement synchronisé est un procédé qui permet de commencer automatiquement un enregistrement sur cassette en synchronisation avec la platine CD ou tournedisques.

Mettre la platine à cassettes en mode d'enregistrement/pause (REC/PAUSE) en procédant comme indiqué dans le manuel d'utilisation. Pour l'enregistrement synchronisé d'un DC, appuyer sur la touche lecture (PLAY) de la platine CD.

La platine à cassette se met automatiquement en mode d'enregistrement au moment où la platine CD commence la lecture, et l'enregistrement synchronisé se met en marche.

L'enregistrement synchronisé est automatiquement arrêté dès que la platine CD arrête la lecture.

Pour annuler l'enregistrement synchronisé enfoncer la touche d'arrêt (STOP) de la platine CD ou tournedisques de la platine à cassettes.

**Remarques:**

- Si l'on établit le mode d'enregistrement/pause (REC/PAUSE) en appuyant sur la touche de pause (PAUSE) après avoir enfoncé simultanément les touches enregistrement (REC) et lecture (PLAY), l'enregistrement synchronisé n'est pas possible. Pour plus de précisions, se reporter au manuel d'utilisation de la platine à cassette.
- Le fonctionnement sera anormal si l'alimentation de l'un des éléments du système d'appel direct est interrompue. Il faut alors appuyer à nouveau sur la touche d'activation pour remettre l'élément en marche.
- S'assurer que la borne SYNCHRO de chaque élément est raccordé avec le câble de téléconnexion qui a été fourni. Lire attentivement le manuel d'utilisation de chaque élément de la chaîne.
- Pendant l'enregistrement synchrone, la source est verrouillée sur la position CD/AUX ou PHONO pour éviter des arrêts accidentels ou des changements de sources. Pour changer de source, annulez d'abord l'enregistrement synchrone.

**Attention:**

Lorsqu'un élément (tel une platine à cassette) est connecté aux prises TAPE 2 (ADAPTER), ne pas connecter les bornes de synchronisation (SYNCHRO) de l'amplificateur, ne pas connecter les bornes de synchronisation (SYNCHRO) de l'élément à un autre élément à l'aide du câble de télécommande.

**Gesynchroniseerd opnemen**

Gesynchroniseerd opnemen betekent dat het cassettedeck automatisch begint met opnemen zodra de CD-speler of draaitafel gaat spelen.

Zet eerst het cassettedeck in de opnamepauze-stand (zie de gebruiksaanwijzing van het cassettedeck).

Bij synchroon opnemen van de CD-speler moet vervolgens de weergavetoets (PLAY) van de CD-speler worden ingedrukt.

Zodra nu de weergave van de CD-speler begint zal het cassettedeck in de opnamestand komen te staan en begint het gesynchroniseerd opnemen.

Het gesynchroniseerd opnemen zal automatisch stoppen zodra de weergave van de CD-speler stopt.

Druk de stoptoets (STOP) van de CD-speler, de draaitafel of het cassettedeck in om synchroon-opnamefunctie voortijdig uit te schakelen.

**Opmerkingen:**

- Gesynchroniseerd opnemen is niet mogelijk als het cassettedeck in de opnamepauze-stand is gezet door het indrukken van de pauzetoets (PAUSE) nadat eerder gelijktijdig de opname- en weergavetoets (REC en PLAY) waren ingedrukt. Zie de gebruiksaanwijzing van het cassettedeck voor verdere details.
- Als de stroomtoevoer naar een van de componenten onderbroken wordt, zal dit resulteren in onjuist functioneren. Mocht dit voorkomen, druk dan nogmaals op de aktiverings- toets van het betreffende component.
- Zorg ervoor dat de synchronisatie-aansluiting (SYNCHRO) van elk component op de juiste wijze verbonden is m.b.v. de bijgeleverde afstandsbedieningskabel. Lees de gebruiksaanwijzing van ieder component aandachtig door.
- Tijdens gesynchroniseerd opnemen is de keuze van de geluidsbron vergrendeld (op CD/AUX of PHONO) om abusievelijk stoppen of overschakelen op een andere geluidsbron te voorkomen. Wilt u van geluidsbron veranderen, schakel dan eerst de synchroon-opnamefunctie uit.

**Voorzichtig:**

De synchronisatie-aansluiting (SYNCHRO) van het component (bijvoorbeeld een cassettedeck) dat op de cassettedeck 2/adapter-aansluitingen (TAPE 2 ADAPTER) is aangesloten, mag niet verbonden worden met de synchronisatie-aansluiting (SYNCHRO) van de versterker noch met de synchronisatieaansluiting (SYNCHRO) van een ander component.

**Grabación sincronizada**

La grabación sincronizada se refiere al proceso por el que el magnetófono comienza a grabar automáticamente, en forma sincronizada con el tocadiscos compacto o el tocadiscos.

Fije el magnetófono en el modo REC/PAUSE de acuerdo a los procedimientos en el manual de instrucciones.

Cuando grabe sincronizadamente con el tocadiscos compacto, pulse el botón PLAY en el tocadiscos compacto.

El magnetófono entra en el modo de grabación en el momento en que arranca el tocadiscos compacto y se inicia la grabación sincronizada. La grabación sincronizada se detiene automáticamente cuando el tocadiscos compacto deja de ejecutar.

Para cancelar la grabación sincronizada, pulse el botón STOP del tocadiscos compacto, tocadiscos o magnetófono.

**Notas:**

- Cuando se fija el modo REC/PAUSE pulsando PAUSE después de presionar simultáneamente los botones REC y PLAY, no es posible la grabación sincronizada. Para detalles, refiérase al manual de instrucciones del magnetófono.
- Si la alimentación de energía se interrumpe a medio camino, producirá una operación anormal. Si sucede esto, pulse nuevamente el botón de activación para reiniciar.
- Asegúrese que el terminal SYNCHRO de cada componente esté conectado con el cable remoto anexo. Asegúrese de leer muy cuidadosamente el manual de instrucciones de cada componente.
- La fuente se enclava en la posición CD/AUX o PHONO durante la grabación sincronizada para evitar detenciones accidentales o cambios a otra fuente. Para cambiar la fuente, primero cancele la grabación sincronizada.

**Precaución:**

Cuando se conecta un componente (tal como el magnetófono) a los terminales TAPE 2 ADAPTER del amplificador, no conecte los terminales SYNCHRO del amplificador, ni conecte los terminales SYNCHRO de tal componente a ningún otro componente con un cable remoto.

## OPERATION

Before operation, always be sure to set **VOLUME** at minimum.

When the volume is increased after selecting a source position with no equipment connected to the input terminal, other connected devices (such as speakers) may be adversely affected by external noises and inductive hum.

### Listening to broadcasts

1. Connect a tuner to the TUNER terminals on the rear panel.
2. Press the POWER button on.
3. Press the TUNER button and make sure that the TAPE 2 MONITOR/ADAPTER button is set to off.
4. Select the speaker system with the SPEAKERS switches.
5. Operate the tuner according to its instruction manual.
6. Adjust the VOLUME, LOUDNESS, BALANCE and TONE BASS/TREBLE controls.

### Listening to records

1. Connect a turntable to the PHONO terminals on the rear panel.
2. Press the POWER button on.
3. Press the PHONO button and make sure that the TAPE 2 MONITOR/ADAPTER button is set to off.
4. Select the speaker system with the SPEAKERS switches.
5. Operate the turntable according to its instruction manual.
6. Adjust the VOLUME, LOUDNESS, BALANCE and TONE as required.

**Note: Use a turntable with a MM cartridge.**

### Listening to tapes

To listen to the tape deck connected to the TAPE 1 or TAPE 2 ADAPTER terminals.

1. Connect a tape deck to the PLAY terminals of the TAPE 1 or TAPE 2 ADAPTER.
2. Press the POWER button on.
3. Press the TAPE 1 button to play back the TAPE 1 deck. For playback of the TAPE 2 deck, press the TAPE 2 MONITOR/ADAPTER button to ON ( — ).
4. Select the speaker system with the SPEAKERS switches.
5. Operate the tape deck for playback according to its instruction manual.
6. Adjust the playback sound controls as required.

## BEDIENUNG

Vergewissern Sie sich, daß vor der Inbetriebnahme der Lautstärkepegel (**VOLUME**) auf die niedrigste Position eingestellt ist.

Wenn die Lautstärke nach der Wahl einer Signalquelle erhöht wird, ohne daß eine Komponente mit der Eingangsbuchse verbunden ist, können andere angeschlossene Geräte (wie z.B. Lautsprecher) durch Fremdgeräusche und Brummen beeinächtigt werden.

### Empfang von Radiosendungen

1. Einen Verstärker an die Tuner Buchsen (TUNER) an der GeräteRückseite anschließen.
2. Den Netzschalter (POWER) einschalten.
3. Die TunerTaste (TUNER) drücken und sich vergewissern, daß die Kassette 2 Monitor/AdapterTaste (TAPE 2 MONITOR/ADAPTER) ausgeschaltet ist.
4. Mit dem LautsprecherSchalter (speakers) das gewünschte LautsprecherSystem wählen.
5. Den Tuner wie in der Betriebsanleitung angegeben in Betrieb nehmen.
6. Lautstärke (VOLUME), Konturen (LOUDNESS), Balanceregler (BALANCE) und Tiefen/Höhen (TONE BASS/TREBLE) einstellen.

### Abspielen von Schallplatten

1. Einen Plattenspieler an die Plattenspieler-Buchsen (PHONO) an der GeräteRückseite anschließen.
2. Den Netzschalter (POWER) einschalten.
3. Die PlattenspielerTaste (PHONO) drücken und sich vergewissern, daß die Kassette 2 Monitor/AdapterTaste (TAPE 2 MONITOR/ADAPTER) ausgeschaltet ist.
4. Mit dem LautsprecherSchalter (SPEAKERS) das gewünschte LautsprecherSystem wählen.
5. Den Plattenspieler wie in der Betriebsanleitung angegeben in Betrieb nehmen.
6. Lautstärke (VOLUME), Konturen (LOUDNESS), Balance-Regler (BALANCE) und Klang (TONE) einstellen.

**Hinweis: Verwenden Sie einen Plattenspieler, der mit einem Magnetsystem-Tonabnehmer ausgerüstet ist.**

### Abspielen von Bändern

Für Kassettendecks, die an die Kassette 1 (TAPE 1) oder Kassette 2 AdapterBuchsen (TAPE 2 ADAPTER) angeschlossen sind.

1. Ein Kassettendeck an die Wiedergabe-Buchsen (PLAY) der Kassette 1 (TAPE 1) oder Kassette 2 AdapterAnschlüsse (TAPE 2 ADAPTER) anschließen.
2. Den Netzschalter (POWER) einschalten.
3. Die Kassette 1 Taste (TAPE1) drücken, um Kassette 1 (TAPE 1) wiederzugeben. Um Kassette 2 (TAPE 2) wieder zugeben, die Kassette 2 Monitor/AdapterTaste (TAPE 2 MONITOR/ADAPTER) auf "ein" (ON) ( — ) stellen.
4. Mit dem LeutsprecherSchalter (SPEAKERS) das gewünschte LautsprecherSystem wählen.
5. Das Kassettendeck wie in der Betriebsanleitung angegeben auf Wiedergabe einstellen.
6. Die Klangregler für die Wiedergabe wie gewünscht einstellen.

## FONCTIONNEMENT

Avant le fonctionnement s'assurer que le VOLUME est au minimum.

Si l'on augmente le volume après avoir sélectionné une source dont la borne d'entrée n'est pas raccordée à un appareil quelconque, d'autres unités branchées (comme les enceintes) seront affectées par des bruits externes et un ronflement inductif.

### Ecoute d'émissions

1. Raccorder un syntoniseur aux bornes TUNER du panneau arrière.
2. Enfoncer la touche POWER.
3. Appuyer sur la touche TUNER et s'assurer que la touches TAPE 2 MONITOR/ADAPTER est relâchées.
4. Sélectionner le système de haut-parleurs avec les sélecteurs SPEAKERS.
5. Faire fonctionner le syntoniseur selon les instructions de son manuel.
6. Régler les commandes VOLUME, LOUDNESS, BALANCE et TONE BASS/TREBLE.

### Ecoute de disques

1. Raccorder une platine tourne-disque aux bornes PHONO du panneau arrière.
2. Enfoncer la touche POWER.
3. Appuyer sur la touche PHONO et s'assurer que la touche TAPE 2 MONITOR/ADAPTER est relâchée.
4. Sélectionner le système de haut-parleurs avec les sélecteurs SPEAKERS.
5. Faire fonctionner le syntoniseur selon les instructions de son manuel.
6. Régler les commandes VOLUME, LOUDNESS, BALANCE et TONE.

**Remarque: Utiliser une platine avec une cellule MM**

### Ecoute de bandes

**Pour écouter la platine d'enregistrement connectée aux bornes TAPE 1 ou TAPE 2 ADAPTER.**

1. Connecter une platine d'enregistrement aux bornes pour lecture (PLAY) de TAPE 1 ou de TAPE 2 ADAPTER.
2. Enfoncer la touche POWER.
3. Appuyer sur la touche TAPE 1 pour écouter la platine d'enregistrement reliée aux bornes TAPE 1. Pour l'écoute de la platine d'enregistrement reliée aux bornes TAPE 2, mettre la touche TAPE 2 MONITOR/ADAPTER sur la position ON (▲).
4. Sélectionner le système de haut-parleurs avec les sélecteurs SPEAKERS.
5. Faire fonctionner la platine d'enregistrement en lecture selon les instructions de son manuel.
6. Régler les commandes pour obtenir un son optimum.

## BEDIENING

Zet het volume in de minimumstand alvorens het apparaat in te schakelen.

Als het volume wordt verhoogd nadat een ingangsaansluiting is gekozen (met de geluidsbrontoetsen) waarop geen komponent is aangesloten, kan andere apparatuur (zoals de luidsprekers) beschadigd raken door externe stoorgeluiden of inductiebrom.

### Luisteren naar radio-uitzendingen

1. Sluit een tuner aan op de tuneraansluitingen (TUNER) op het achterpaneel.
2. Druk op de netschakelaar (POWER) om het apparaat in te schakelen.
3. Controleer of de cassettedeck 2 monitor/adapter-toets (TAPE 2 MONITOR/ADAPTER) op uit staat en druk dan op de tuner-toets (TUNER).
4. Kies met de luidsprekertoetsen (SPEAKERS) het gewenste luidsprekersysteem.
5. Ga voor de bediening van de tuner te werk zoals in de daarbij behorende gebruiksaanwijzing wordt beschreven.
6. Stel de volume-, contour-, balans- en toonregelaars (VOLUME, LOUDNESS, BALANCE, TONE BASS/TREBLE) naar eigen voorkeur in.

### Luisteren naar platen

1. Sluit de draaitafel aan op de draaitafelaansluitingen (PHONO) op het achterpaneel.
2. Druk op de netschakelaar (POWER) om het apparaat in te schakelen.
3. Controleer of de cassettedeck 2 monitor/adapter-toets (TAPE 2 MONITOR/ADAPTER) op uit staat en druk dan op de draaitafeltoets (PHONO).
4. Kies met de luidsprekertoetsen (SPEAKERS) het gewenste luidsprekersysteem.
5. Ga voor de bediening van de draaitafel te werk zoals in de daarbij behorende gebruiksaanwijzing wordt beschreven.
6. Stel de volume-, contour-, balans- en toonregelaars (VOLUME, LOUDNESS, BALANCE, TONE) naar eigen voorkeur in.

**Opmerking: Gebruik een draaitafel voorzien van een MM-element.**

### Luisteren naar cassettes

**Luisteren naar het cassettedeck aangesloten op de cassettedeck 1 (TAPE 1) of de cassettedeck 2/adapter-aansluitingen (TAPE 2 ADAPTER)**

1. Sluit het cassettedeck aan op de weergaveaansluitingen (PLAY) van de cassettedeck 1 (TAPE 1) of cassettedeck 2/adapter-aansluitingen (TAPE 2 ADAPTER).
2. Druk op de netschakelaar (POWER) om het apparaat in te schakelen.
3. Druk op de cassettedeck 1 toets (TAPE 1) om te luisteren naar cassettedeck 1. Druk de cassettedeck 2 monitor/adapter-toets (TAPE 2 MONITOR/ADAPTER) op ON (▲) om te luisteren naar cassettedeck 2.
4. Kies met de luidsprekertoetsen (SPEAKERS) het gewenste luidsprekersysteem.
5. Ga voor de bediening van het cassettedeck te werk zoals in de daarbij behorende gebruiksaanwijzing wordt beschreven.
6. Stel de geluidsregelaars naar eigen voorkeur in.

## OPERACION

Antes de la operación, asegúrese siempre de fijar VOLUME al mínimo.

Cuando se aumenta el volumen después de seleccionar una posición de fuente sin equipos conectados al terminal de entrada, pueden afectarse adversamente otros dispositivos conectados (tales como altavoces) por los ruidos externos y zumbidos inductivos.

### Cómo escuchar radiodifusiones

1. Conecte un sintonizador a los terminales TUNER en el panel trasero.
2. Presione el botón POWER ubicándolo en la posición "ON".
3. Presione el botón TUNER y asegúrese que el botón TAPE 2 MONITOR/ADAPTER estén en "OFF".
4. Seleccione el sistema de altavoces con los interruptores SPEAKERS.
5. Opere el sintonizador de acuerdo a su manual de instrucciones.
6. Ajuste los controles de VOLUME, LOUDNESS, BALANCE y TONE BASS/TREBLE.

### Cómo escuchar discos

1. Conecte un tocadiscos a los terminales PHONO en el panel trasero.
2. Presione el botón POWER ubicándolo en la posición "ON".
3. Presione el botón PHONO y asegúrese que el botón TAPE 2 MONITOR/ADAPTER esté fijado en "OFF".
4. Seleccione el sistema de altavoces con los interruptores SPEAKERS.
5. Opere el tocadiscos de acuerdo a su manual de instrucciones.
6. Ajuste como se requiera los controles de VOLUME, LOUDNESS, BALANCE y TONE.

**Nota: Utilice un tocadiscos con un cartucho MM.**

### Cómo escuchar cintas

**Para escuchar el magnetófono conectado a los terminales TAPE 1 o TAPE 2 ADAPTER.**

1. Conecte un magnetófono a los terminales PLAY de TAPE 1 o TAPE 2 ADAPTER.
2. Presione el botón POWER ubicándolo en la posición "ON".
3. Presione el botón TAPE 1 para ejecutar el magnetófono TAPE 1. Para ejecutar el magnetófono TAPE 2, presione el botón TAPE 2 MONITOR/ADAPTER a la posición ON (▲).
4. Seleccione el sistema de altavoces con los interruptores SPEAKERS.
5. Opere el magnetófono para ejecutar de acuerdo a su manual de instrucciones.
6. Ajuste como se requiera los controles de sonido de ejecución.

**Notes:**

- **When the TAPE 1 and TAPE 2 MONITOR/ADAPTER buttons are pressed simultaneously, the TAPE 2 deck starts playing first and the TAPE 1 deck next. However, this sequence can be switched by releasing the TAPE 2 MONITOR/ADAPTER button and pressing it again.**
- **Do not place the tape deck directly on the amplifier, because it may cause the amplifier to malfunction.**

**Using stereo headphones**

Stereo headphones can be plugged into the front panel jack. Plugging headphones into the PHONES jack does not switch off the speaker sound.

**Recording tapes**

To record from disc sources onto a tape deck.

1. Connect a tape deck to the REC terminals of the TAPE 1 or TAPE 2 ADAPTER terminals.
2. Press the POWER button on.
3. Select a speaker system if you wish to hear the sound while recording.
4. Press the PHONO button.
5. Operate the turntable.
6. Operate the tape deck for recording.

**To record from other sources (TUNER, CD/AUX)**

Press the TUNER, or CD/AUX button to record radio broadcasts, or the source connected to the CD/AUX terminals.

All other operations are identical to when recording from disc source.

**Tape dubbing**

Dubbing from the TAPE 1 to TAPE 2 is carried out as follows:

1. Press the TAPE 1 button.
2. Play back the TAPE 1 deck.
3. Record the sound from the TAPE 1 deck.

Dubbing from the TAPE 2 to TAPE 1 is carried out as follows:

1. Press the TAPE 2 button to ON ( — ).
2. Play back the TAPE 2 deck.
3. Record the sound from the TAPE 2 deck.

**Notes:**

- **You can also monitor the sound being recorded with headphones.**
- **The sound you hear from the speakers or headphones is the source sound, not that being recorded on the tape.**
- **With the TAPE 1 button pressed on, you can not record the sound from other sources, such as PHONO, TUNER, CD/AUX, and TAPE 2 MONITOR/ADAPTER.**
- **The VOLUME control of this amplifier has no effect on the recording level. Adjust the recording level with the controls on the tape deck.**

**Hinweise:**

- **Wenn die Kasette 1 Taste (TAPE 1) und die Kasette 2 Monitor/AdapterTaste (TAPE 2 MONITOR/ADAPTER) gleichzeitig gedrückt werden, läuft Kasette 2 (TAPE 2) zuerst, und dann erst Kasette 1 (TAPE 1). Diese Reihenfolge kann man aber umkehren, in dem man die Kasette 2 Monitor/AdapterTaste (TAPE 2 MONITOR/ADAPTER) erst losläßt und sie dann wieder drückt.**
- **Das Kassetendeck nicht auf den Verstärker stellen, da dies Betriebsstörungen des Verstärkers verursachen kann.**

**Benutzung der Stereo-Kopfhörer**

Die Stereo-Kopfhörer können mit der Buchse an der Frontplatte verbunden werden. Wenn die Kopfhörer an den Kopfhörer-Buchsen (PHONES) angeschlossen werden, wird die Klangwiedergabe von den Lautsprechern nicht abgeschaltet.

**Aufnahmen von Bändern**

Aufnahmen von Plattenspielern.

1. Ein Kassetendeck an die Aufnahme-Buchsen (REC) der Kasette 1 (TAPE 1) oder an die Kasette 2 Adapter-Buchsen (TAPE 2 ADAPTER) anschließen.
2. Den Netzschalter (POWER) einschalten.
3. Wenn Sie den Ton während der Aufnahme mithören wollen, eines der Lautsprecher-Systeme wählen.
4. Die Plattenspieler-Taste (PHONO) drücken.
5. Den Plattenspieler in Betrieb setzen.
6. Das Kassetendeck auf Aufnahmebetrieb schalten.

**Aufnahmen von anderen Signalquellen (TUNER), CD-Plattenspieler (CD/AUX)**

Die Tuner-Taste (TUNER) drücken, um Radio-sendungen aufzunehmen, und die CD-Plattenspieler-Taste (CD/AUX) drücken, um eine Tonquelle aufzunehmen, die mit den Anschlüssen für CD-Plattenspieler (CD/AUX) verbunden ist.

Bei Aufnahmen von Platten sind alle anderen Bedienungsvorgänge gleich.

**Überspielen von Bändern**

Das überspielen eines Bandes von Kasette 1 (TAPE 1) auf Kasette 2 (TAPE 2) wird wie folgt durchgeführt:

1. Die Kasette 1-Taste (TAPE 1) drücken.
2. Kasette 1 (TAPE 1) wiedergeben.
3. Den Ton von Kasette 1 (TAPE 1) aufnehmen.

Das überspielen eines Bandes von Kasette 2 (TAPE 2) auf Kasette 1 (TAPE 1) wird wie folgt durchgeführt:

1. Die Kasette 2-Taste (TAPE 2) drücken.
2. Kasette 2 (TAPE 2) wiedergeben.
3. Den Ton von Kasette 2 (TAPE 2) aufnehmen.

**Hinweise:**

- **Der Ton der Aufnahme kann über Kopfhörer mitgehört werden.**
- **Den Ton, den Sie über die Lautsprecher oder den Kopfhörer vernehmen, ist der Klang der Signalquelle, und nicht der, der auf dem Band aufgenommen wird.**
- **Wenn die Kasette 1-Taste (TAPE 1) gedrückt ist, sind Aufnahmen von anderen Anschlüssen wie Plattenspieler (PHONO), Tuner (TUNER), CD-Plattenspieler (CD/AUX) und Kasette 2 Adapter-Buchsen (TAPE 2 MONITOR/ADAPTER) nicht möglich.**
- **Die Lautstärke-Einstellung (VOLUME) dieses Verstärkers hat keinen Einfluß auf den Aufnahmepegel. Stellen Sie den Aufnahmepegel mit den Lautstärke-Reglern des Kassetendecks ein.**



**Remarques:**

- Lorsqu'on enfonce simultanément les touches TAPE 1 et TAPE 2 MONITOR/ADAPTER, la lecture commence d'abord sur la platine connectée aux bornes TAPE 2 et se poursuit sur la platine connectée aux bornes TAPE 1. Il est cependant possible d'inverser cette séquence en libérant la touche TAPE 2 MONITOR/ADAPTER et en la réenfonçant.
- Ne pas placer la platine d'enregistrement directement sur l'amplificateur car ceci risque de provoquer un mauvais fonctionnement de l'amplificateur.

**Utilisation d'un casque d'écoute stéréo**

Un casque d'écoute stéréo peut être branché sur la prise du panneau avant. Le brancher sur cette prise ne coupe pas le son des haut-parleurs.

**Enregistrement de bandes**

Pour enregistrer à partir de disques sur une platine.

1. Connecter une platine d'enregistrement aux bornes pour enregistrement (REC) de TAPE 1 ou de TAPE 2 ADAPTER.
2. Enfoncez la touche POWER.
3. Sélectionner le système de haut-parleurs si vous voulez écouter le son tout en enregistrant.
4. Enfoncez la touche PHONO.
5. Faire fonctionner la platine tourne-disque.
6. Faire fonctionner la platine d'enregistrement en enregistrement.

**Enregistrement à partir d'autres sources (TUNER, CD/AUX)**

Enfoncer le commutateur TUNER, ou CD/AUX pour enregistrer des émissions radio ou la source raccordée aux bornes CD/AUX. Tous les autres fonctionnements sont identiques à ceux de l'enregistrement à partir de

**Copie de bandes**

Pour effectuer une copie de la platine d'enregistrement reliée aux bornes TAPE 1 vers la platine d'enregistrement reliée aux bornes TAPE 2:

1. Enfoncez la touche TAPE 1.
2. Lire une cassette sur la platine reliée aux bornes TAPE 1.
3. Enregistrer le son sur la platine reliée aux bornes TAPE 2.

Pour effectuer une copie de la platine d'enregistrement reliée aux bornes TAPE 2 vers la platine d'enregistrement reliée aux bornes TAPE 1:

1. Mettre la touche TAPE 2 sur la position ON (▲).
2. Lire une cassette sur la platine reliée aux bornes TAPE 2.
3. Enregistrer le son sur la platine reliée aux bornes TAPE 1.

**Remarques:**

- Vous pouvez aussi contrôler le son enregistré avec le casque d'écoute.
- Le son que vous entendez des haut-parleurs ou du casque est le son de la source et non pas le son enregistré sur la bande.
- Lorsque la touche TAPE 1 est enfoncée, il n'est pas possible d'enregistrer à partir d'autres sources reliées aux bornes PHONO, TUNER, CD/AUX, et TAPE 2 MONITOR/ADAPTER.
- La commande VOLUME de cet amplificateur n'a pas d'effet sur le niveau d'enregistrement. Régler celui-ci avec les commandes de la platine.

**Opmerkingen:**

- Als de cassetdeck 1 toets (TAPE 1) en de cassetdeck 2 monitor/adapter-toets (TAPE 2 MONITOR/ADAPTER) gelijktijdig worden ingedrukt, zal cassetdeck 2 beginnen te spelen waarna op cassetdeck 1 wordt overgeschakeld. U kunt deze volgorde omkeren door de cassetdeck 2 monitor/adapter-toets (TAPE 2 MONITOR/ADAPTER) in de vrije stand te drukken en vervolgens weer in te drukken.
- Zet het cassetdeck niet op de versterker aangezien dit kan leiden tot een foutieve werking van de versterker.

**Gebruik van een stereo hoofdtelefoon**

Op de hoofdtelefoonaansluiting (PHONES) op het frontpaneel kan een stereo hoofdtelefoon worden aangesloten. Bij het aansluiten van de hoofdtelefoon zal de geluidsweggeve via de luidsprekers niet worden uitgeschakeld.

**Opnemen van platen**

Ga voor het opnemen van platen te werk zoals hieronder beschreven.

1. Sluit het cassetdeck aan op de opname-aansluitingen (REC) van de cassetdeck 1 (TAPE 1) of cassetdeck 2/adapter-aansluitingen (TAPE 2 ADAPTER).
2. Druk op de netschakelaar (POWER) om het apparaat in te schakelen.
3. Kies een luidsprekersysteem als u tijdens het opnemen naar het geluid wilt luisteren.
4. Druk op de draaitafeltoets (PHONO).
5. Begin met het afspelen van de plaat.
6. Zet het cassetdeck in de opnamestand.

**Opnemen van andere geluidsbronnen (TUNER, CD/AUX)**

Druk op de tunertoets (TUNER) voor het opnemen van radio-uitzendingen en op de CD/hulpingangstoets (CD/AUX) voor het opnemen van de geluidsbron aangesloten op de CD/hulpaansluitingen (CD/AUX).

Alle overige bedieningsaanwijzingen zijn hetzelfde als bij het opnemen van platen.

**Kopiëren van cassettes**

Kopiëren van cassetdeck 1 (TAPE 1) naar cassetdeck 2 (TAPE 2)

1. Druk op de cassetdeck 1 toets (TAPE 1).
2. Begin met het afspelen van de cassette in cassetdeck 1 (TAPE 1).
3. Zet cassetdeck 1 (TAPE 1) in de opnamestand.

Kopiëren van cassetdeck 2 (TAPE 2) naar cassetdeck 1 (TAPE 1)

1. Druk de cassetdeck 2 toets (TAPE 2) op ON (▲).
2. Begin met het afspelen van de cassette in cassetdeck 2 (TAPE 2).
3. Zet cassetdeck 2 (TAPE 2) in de opnamestand.

**Opmerkingen:**

- U kunt ook met de hoofdtelefoon luisteren naar het geluid dat wordt opgenomen.
- Het geluid dat via de luidsprekers of hoofdtelefoon wordt weergegeven is het geluid dat wordt opgenomen en niet de zojuist gemaakte opname.
- Als de cassetdeck 1 toets (TAPE 1) ingedrukt staat, kan alleen het geluid van cassetdeck 1 worden opgenomen. Opnemen van andere bronnen (aangesloten op PHONO, TUNER, CD/AUX of TAPE 2 MONITOR/ADAPTER) is dan niet mogelijk.
- De instelling van de volumeregelaar (VOLUME) op de versterker heeft geen invloed op het opnameniveau. Stel het opnameniveau in met de daarvoor bestemde regelaars op het cassetdeck.

**Notas:**

- Cuando se presionan simultáneamente los botones TAPE 1 y TAPE 2 MONITOR ADAPTER, el magnetófono TAPE 2 empieza a ejecutar primero y el magnetófono TAPE 1 después. Sin embargo, esta secuencia puede cambiarse liberando el botón TAPE 2 MONITOR/ADAPTER y presionándolo nuevamente.
- No coloque el magnetófono directamente sobre el amplificador, porque podría causar defectos del amplificador.

**Cómo escuchar a través de auriculares**

Los auriculares estereo pueden enchufarse en la toma del panel delantero. Enchufando los auriculares en la toma PHONES no interrumpe la salida de los altavoces.

**Grabación de cintas**

Para grabar de las fuentes de disco al magnetófono.

1. Conecte un magnetófono a los terminales REC de los terminales TAPE 1 o TAPE 2 ADAPTER.
2. Presione el botón POWER ubicándolo en la posición "ON".
3. Seleccione un sistema de altavoces si desea escuchar el sonido mientras graba.
4. Presione el botón PHONO.
5. Opere el tocadiscos.
6. Opere el magnetófono para grabar.

**Grabación de otras fuentes (TUNER, CD/AUX)**

Presione el botón TUNER o CD/AUX para grabar las emisiones de radio, o la fuente conectada a los terminales CD/AUX.

Todas las otras operaciones son idénticas a las que se utilizan en la grabación de una fuente de disco.

**Copia de cintas**

Para efectuar una copia del magnetófono TAPE 1 al magnetófono TAPE 2 efectúe los siguientes pasos:

1. Presione el botón TAPE 1.
  2. Haga funcionar el magnetófono TAPE 1.
  3. Grabe el sonido del magnetófono TAPE 1.
- La copia del magnetófono TAPE 2 al magnetófono TAPE 1 se efectúa de la siguiente manera:
1. Presione el botón TAPE 2 y colóquelo en "ON" (▲).
  2. Haga funcionar el magnetófono TAPE 2.
  3. Grabe el sonido del magnetófono TAPE 2.

**Notas:**

- También es posible monitorizar el sonido que se está grabando, con los auriculares.
- El sonido que escucha de los altavoces o auriculares es el sonido de fuente, no el que se está grabando en la cinta.
- Con el botón TAPE 1 presionado en "ON", no es posible grabar el sonido de otras fuentes, como PHONO, TUNER, CD/AUX y TAPE 2 MONITOR/ADAPTER.
- El control de VOLUME de este amplificador no tiene efecto en el nivel de grabación. Ajuste el nivel de grabación con los controles en el magnetófono.

- **While playing back a tape on the cassette deck to which the TAPE 2 ADAPTER terminals of this unit are connected, you can not record the sources from other components.**

**How to operate the monitor while recording on the tape deck**

1. Connect the 3-head tape deck to the TAPE 2 ADAPTER terminals.
2. Make sure to connect the signal cords to the PLAY and REC terminals, and remove the remote cable connected to the tape deck.
3. Select a source from which you want to record by depressing the SOURCE SELECTOR button on this unit.
4. Operate the tape deck for recording as described in its operating manual.
5. By playing the source component, you can record on the tape deck.
6. While recording on the tape deck, the recorded sound can be heard by depressing the TAPE 2 MONITOR/ADAPTER button on this unit or that of the remote control unit.

**Use of S.E.A. Graphic Equalizer**

The S.E.A. Graphic Equalizer is JVC's exclusive tone control system. By allowing you to boost or lower the response of finely divided sections of the frequency spectrum independently, the S.E.A. gives you much greater control over the sound quality of your stereo system. With an optionally available S.E.A. Graphic Equalizer, you can tailor the sound to your own taste for different types of music or to compensate for the particular acoustic characteristics of your audio components and listening room. The TAPE 2 ADAPTER terminals of the AX-33BK can be used for connecting the S.E.A. Graphic Equalizer.

- **Während der Wiedergabe eines Bandes mit einem Kassettendeck (das mit den Kassette 2 Adapter-Buchsen (TAPE 2 ADAPTER) dieses Gerätes verbunden ist), können keine Tonquellen von anderen Komponenten aufgenommen werden.**

**Verwendung des Monitors während einer Aufnahme mit einem Kassettendeck.**

1. Das Drei-Kopf-Kassettendeck an die Kassette 2 Adapter-Buchsen (TAPE 2 ADAPTER) anschließen.
2. Vergewissern Sie sich, daß die Verbindungskabel an die Wiedergabe- (PLAY) und die Aufnahme-Buchsen (REC) angeschlossen sind, und trennen Sie das Fernbedienungskabel vom Kassettendeck ab.
3. Wählen Sie die gewünschte Signalquelle durch Drücken der Signalwähl-Taste (SOURCE SELECTOR) an diesem Gerät.
4. Das Kassettendeck wie in der Betriebsanleitung angegeben in der Aufnahmefunktion betreiben.
5. Die abzuspielende Tonquelle kann nun mit dem Kassettendeck aufgenommen werden.
6. Während des Aufnahmevorgangs kann der Ton mitgehört werden – drücken Sie dazu die Kassette 2 Adapter/Monitor-Taste (TAPE 2 ADAPTER/MONITOR) an diesem Gerät oder an der Fernbedienungs-Einheit.

**Verwendung des S.E.A. Graphic Equalizers**

Der S.E.A. Graphic Equalizer ist ein exklusives Klang-Kontrollsystem von JVC. Dadurch, daß es Ihnen erlaubt, Frequenzen in fein unterteilten Frequenz-Intervallen des Spektrums unabhängig anzuheben und abzusenken, gibt Ihnen der S.E.A. eine weit umfangreichere Kontrolle über Ihr Stereo-System. Mit einem als Sonder-Zubehör erhältlichen S.E.A. Graphic Equalizer können Sie den Klang je nach Art der Musik Ihrem eigenen Geschmack anpassen – oder für die akustischen Eigenarten Ihrer Audio-Geräte und des Raumes kompensieren. Die Kassette 2 Adapter-Buchsen (TAPE 2 ADAPTER) der Modelle AX-33BK können zum Anschließen des S.E.A. Graphic Equalizers verwendet werden.

## TROUBLESHOOTING

**What appears to be a malfunction may not always be serious**

**Make sure first . . .**

**No sound and no light**

- Is the AC plug connected properly?
- Are the connections made correctly?

**No sound from speakers**

- Are speaker cords connected?
- Are the SPEAKERS buttons correctly set?
- Is the VOLUME control properly set?
- Is your source component correctly set?

**Sound from one speaker only**

- Are speaker cords connected correctly?
- Is BALANCE control set to one extreme or the other?

**Loud hum during record playing**

- Is turntable grounded?
- Try to change cord path.

**Howling noise during record playing**

- Is turntable too close to a speaker?

## STÖRUNGSSUCHE

**Die meisten Betriebsstörungen sind auf einfache Ursachen zurückzuführen.**

**Überprüfen Sie deshalb noch einmal . . .**

**Kein Ton und keine Anzeige**

- Ist der Netzstecker richtig eingesteckt?
- Wurden alle Anschlüsse richtig vorgenommen?

**Kein Ton von beiden Lautsprechern**

- Sind die Lautsprecherkabel angeschlossen?
- Sind die Lautsprecher-Tasten (SPEAKERS) korrekt eingestellt?

**Sound from one speaker only**

- Ist die Lautstärke (VOLUME) korrekt eingestellt?
- Ist die Signalquelle richtig eingestellt?

**Ton kommt nur von einem Lautsprecher**

- Sind die Lautsprecherkabel richtig angeschlossen?

**Lauter Brummgeräusch beim Abspielen einer Schallplatte**

- Ist der Plattenspieler geerdet?
- Evtl. die Kabel anders verlegen.

**Pfeifgeräusche beim Abspielen einer Schallplatte**

- Steht der Plattenspieler zu nahe am Lautsprecher?

- Lors de la lecture d'une bande sur le magnéto-cassette (auquel les bornes TAPE 2 ADAPTER de cet appareil sont connectées), il est impossible d'enregistrer les signaux d'entrée en provenance d'autres éléments.

#### Comment utiliser le contrôle auditif lors d'un enregistrement sur la platine d'enregistrement

1. Connecter la platine d'enregistrement à 3 têtes aux bornes TAPE 2 ADAPTER.
2. Veiller à bien connecter les cordons aux bornes pour lecture (PLAY) et pour enregistrement (REC) et retirer le câble de télécommande connecté à la platine d'enregistrement.
3. Sélectionner l'élément d'entrée que l'on désire enregistrer en enfonçant une touche du sélecteur d'entrée (SOURCE SELECTOR) de cet appareil.
4. Faire fonctionner l'élément d'entrée comme décrit dans son mode d'emploi.
5. Il est alors possible d'effectuer l'enregistrement sur la platine d'enregistrement tout en écoutant l'élément d'entrée.
6. Tout en enregistrant sur la platine d'enregistrement, il est possible d'écouter le son enregistré en enfonçant la touche TAPE 2 MONITOR/ADAPTER de cet appareil ou celle de l'unité de télécommande.

#### Utilisation de l'égaliseur graphique S.E.A.

Les égaliseurs graphiques S.E.A. sont des systèmes de commande de la tonalité exclusifs de JVC. Ils vous permettent de suramplifier ou de diminuer la réponse des différentes sections du spectre des fréquences indépendamment et par conséquent vous offrent un contrôle plus important sur la tonalité de votre chaîne stéréo. Avec un égaliseur graphique S.E.A. disponible en option, vous pouvez obtenir un son sur mesure pour différents types de musique ou compenser la réponse acoustique de vos appareils audio ou de la pièce d'écoute. Les bornes TAPE 2 ADAPTER du AX-33BK peuvent être utilisées pour le raccordement d'un égaliseur graphique S.E.A.

- Tijdens het afspelen van een cassette in het cassettedeck aangesloten op de cassettedeck 2/adapter-aansluitingen (TAPE 2 ADAPTER) kan geen andere geluidsbron worden opgenomen.

#### Tijdens opnemen luisteren naar de zojuist gemaakte opname (nabandkontrole)

1. Sluit het cassettedeck (voorzien van 3 afzonderlijke koppen) aan op de cassettedeck 2/adapter-aansluitingen (TAPE 2 ADAPTER).
2. Zorg ervoor dat het cassettedeck zowel op de weergave als de opname-aansluitingen (PLAY en REC) wordt aangesloten. Maak de afstandsbedieningskabel van het cassettedeck los.
3. Kies de geluidsbron die u wilt opnemen door op de vereiste geluidsbrontoets (SOURCE SELECTOR) van dit apparaat te drukken.
4. Zet het cassettedeck in de opnamestand. Zie hiervoor de gebruiksaanwijzing van het cassettedeck.
5. Begin met het weergeven van de geluidsbron die u wilt opnemen.
6. Druk de cassettedeck 2 monitor/adapter-toets (TAPE 2 MONITOR/ADAPTER) op dit apparaat of op de afstandsbediening in om tijdens het opnemen te luisteren naar de zojuist gemaakte opname.

#### Gebruik van een S.E.A. graphic equalizer

De S.E.A. graphic equalizer (los verkrijgbaar) is JVC's exclusieve klankkleurregelsysteem. Met de S.E.A. kunt u nauwkeurig afgebakende banden van het frequentiespectrum onafhankelijk van elkaar versterken of verzwakken. Dit betekent dat een optimale bijregeling van het geluid mogelijk is hetgeen de mogelijkheid schept de diverse soorten muziek geheel overeenkomstig uw eigen voorkeur te beluisteren. Ook kan er met de S.E.A. in verregaande mate gecompenseerd worden voor de akoestische eigenschappen van uw audio-komponenten alsmede die van de luisterruimte.

Voor het aansluiten van de S.E.A. graphic equalizer kunnen de cassettedeck 2/adapter-aansluitingen (TAPE 2 ADAPTER) van de AX-33BK worden gebruikt.

- Cuando está haciendo funcionar una cinta en el magnetófono (al que se conectan los terminales TAPE 2 ADAPTER de esta unidad), no es posible grabar las fuentes de otros componentes.

#### Cómo operar el monitor grabando en el magnetófono

1. Conecte el magnetófono de 3 cabezales a los terminales TAPE 2 ADAPTER.
2. Asegúrese de conectar los cables de señal a los terminales PLAY y REC, y retire el cable remoto conectado al magnetófono.
3. Seleccione una fuente del que quiera grabar presionando el botón SOURCE SELECTOR en esta unidad.
4. Opere el magnetófono para grabar como se describe en su manual de operación.
5. Haciendo funcionar el componente de fuente, puede grabar en el magnetófono.
6. Mientras graba en el magnetófono, el sonido grabado puede escucharse presionando el botón TAPE 2 MONITOR/ADAPTER en esta unidad o el de la unidad de control remoto.

#### Utilización del ecualizador gráfico S.E.A.

El ecualizador gráfico S.E.A. es un sistema de control de tono exclusivo de JVC. Permite aumentar o disminuir independientemente la respuesta de las secciones finamente divididas del espectro de frecuencia, el S.E.A. le proporciona un control muy grande sobre la calidad del sonido de su sistema estéreo. Con un ecualizador gráfico S.E.A., disponible opcionalmente, puede producir un sonido a su propio gusto para diferentes tipos de música o compensar las características acústicas particulares de sus componentes de audio y la de música. Los terminales TAPE 2 ADAPTER de AX-33BK pueden utilizarse para conectar el ecualizador gráfico S.E.A.

## EN CAS DE DIFFICULTE

**Ce qui semble au départ être un mauvais fonctionnement n'est pas toujours très sérieux.**

**Assurez-vous d'abord que . . .**

**Aucun son et pas d'éclaircissement**

La prise CA est-elle correctement branchée?

Les raccordements sont-ils bien faits?

**Pas de son des haut-parleurs**

Les câbles des haut-parleurs sont-ils raccordés?

Les sélecteurs SPEAKERS sont-ils réglés correctement?

La commande VOLUME est-elle réglée correctement?

Vos appareils de source sont-ils correctement installés?

**Le son ne provient que d'un seul haut-parleur**

Les câbles de haut-parleurs sont-ils raccordés correctement?

La commande BALANCE est-elle tournée à fond dans un sens ou dans l'autre?

**Bourdonnement sourd pendant la lecture de disques**

La platine est-elle mise à la terre?

Essayez de changer l'emplacement du cordon.

**Hurllement pendant la lecture de disques**

La platine tourne-disque est-elle trop près des haut-parleurs?

## VERHELPEN VAN STORINGEN

**Storingen duiden niet altijd op defekten.**

**Kontroleer bij storingen eerst de volgende punten.**

**Geen geluid en geen verlichting.**

Is de stekker van het netsnoer goed in het stopcontact gestoken?

Zijn de aansluitingen op de juiste wijze gemaakt?

**Geen geluidswaarschuwing via de luidsprekers**

Zijn de luidsprekersnoeren wel aangesloten?

Staan de luidsprekertoetsen (SPEAKERS) in de juiste stand?

Staat de volumeregelaar (VOLUME) misschien in de Staat de volumeregelaar (VOLUME) misschien in de minimumstand?

Staan de bedieningsorganen op de geluidsbron korrekt ingesteld?

**Er wordt slechts via één luidspreker weergegeven**

Zijn de luidsprekersnoeren korrekt aangesloten?

Staat de balansregelaar (BALANCE) misschien helemaal naar een kant ingesteld?

**Luide brom tijdens het afspelen van platen**

Is de draaitafel geard?

Probeer of het anders leiden van het snoer helpt.

**Rondzingen tijdens het afspelen van platen**

Staat de draaitafel misschien te dicht in de buurt van een luidspreker?

## DETECCION DE PROBLEMAS

**Aquello que parece ser una avería, no siempre es algo serio. Verifique primero...**

**No hay sonido ni luz**

¿Se ha conectado apropiadamente la toma CA?

¿Se han efectuado correctamente las conexiones?

**No hay sonido de los altavoces**

¿Están conectados los cables de los altavoces?

¿Se han fijado correctamente los botones SPEAKERS?

¿Se ha fijado apropiadamente el control VOLUME?

¿Se ha fijado correctamente la componente de fuente?

**El sonido viene de un altavoz solamente**

¿Se han fijado correctamente los cables de altavoz?

¿Está colocado el control BALANCE en uno de los extremos?

**Fuerte zumbido al escuchar discos**

¿El tocadiscos está conectado a tierra?

Trate de cambiar la vía del cable.

**Ruido de aullidos al escuchar discos**

¿El tocadiscos está demasiado cerca al altavoz?

## SPECIFICATIONS

Output Power : 80 watts per channel min. RMS, both channels driven into 8 ohms from 40 Hz to 20 kHz, with no more than 0.05% total harmonic distortion.

85 watts per channel, min. RMS, into 8 ohms at 1 kHz (DIN).

Total harmonic distortion : 0,008% at 80 watts (1 kHz, 8 ohms)

Power band width : 10 Hz – 30 kHz ('66 IHF 0,2%, 8 ohms both channels driven)

Frequency Response : 10 Hz – 60 kHz, +0,5, -3 dB (8 ohms)

Input terminals

Input sensitivity/impedance (1 kHz)

PHONO : 2.5 mV/47 kohms

TUNER, CD/AUX : 160 mV/47 kohms

TAPE 2 ADAPTER : 160 mV/45 kohms

Signal-to-noise ratio

PHONO : 70 dB ('66 IHF)

TUNER, CD/AUX : 97 dB ('66 IHF)

TAPE 1, TAPE 2 ADAPTER

PHONO : 78 dB ('78 IHF, Rec Out)

TUNER, CD/AUX, TAPE 1, TAPE 2 ADAPTER : 74 dB ('78 IHF, Speaker Out)

Tone controls

TREBLE: +8 ± 1 dB -8 ± 1 dB (at 10 kHz)

BASS: +8 ± 1 dB -8 ± 1 dB (at 100 Hz)

Loudness controls : +6 dB (at 100 Hz)

(Volume Control at -30 dB position) : +4 dB (at 10 kHz)

PHONO RIAA : ±0,5 dB (20 Hz – 20 kHz)

**GENERAL**

Power source : See back page

Dimensions and weight :

Dimensions (cm)			Weight (kg/lbs)
Width	Height	Depth	
43,5 (17-3/16")	11,7 (4-5/8")	30,0 (11-7/8")	6,3/13,9

Design and specifications subject to change without notice.

## TECHNISCHE DATEN

Ausgangsleistung : 80 Watt pro Kanal, eff. min., beide Kanäle angesteuert an 8 Ohm, von 40 Hz bis 20 kHz mit nicht mehr als 0,05 % Klirrfaktor.

85 Watt pro Kanal, RMS, bei Ansteuerung beider Kanäle mit 1 kHz und Abschluß mit 8 Ohm (DIN).

Gesamt-Klirrfaktor : 0,008% bei 80 Watt (1 kHz, 8 Ohm)

Leistungsbandbreite : 10 Hz – 30 kHz ('66 IHF 0,2% 8 Ohm bei Ansteuerung beider Kanäle)

Frequenzbereich : 10 Hz – 60 kHz, +0,5, -3 dB (8 Ohm)

Eingangs-Buchsen

Eingangs-Empfindlichkeit/Impedanz (1 kHz) Plattenspieler (PHONO) : 2,5 mV/47 kOhm

Tuner (TUNER) : 160 mV/47 kOhm

CD-Plattenspieler (CD/AUX), Kassette 1 (TAPE 1) : 160 mV/45 kOhm

Kassette 2 (TAPE 2 ADAPTER)

Signal-Rauschabstand Plattenspieler (PHONO) : 70 dB ('66 IHF)

Tuner (TUNER) : 97 dB ('66 IHF)

CD-Plattenspieler (CD/AUX), Kassette 1 (TAPE 1), Kassette 2 (TAPE 2 ADAPTER)

Plattenspieler (PHONO) : 78 dB ('78 IHF, Aufnahme-Buchsen-Ausgang (REC))

Tuner (TUNER) : 74 dB ('78 IHF, Lautsprecher-Buchsen-Ausgang (SPEAKERS))

CD/Plattenspieler (CD/AUX), Kassette 1 (TAPE 1), Kassette 2 (TAPE 2 ADAPTER)

Klangregler : Höhen +8 ± 1 dB -8 ± 1 dB (bei 10 kHz)

Tiefen: +8 ± 1 dB -8 ± 1 dB (bei 100 Hz)

Konturenregler : +6 dB (bei 100 Hz)

(Lautstärke-Regler auf -30 dB Stellung) : +4 dB (bei 10 kHz)

PHONO RIAA Abweichung : ±0,5 dB (20 Hz – 20 kHz)

**Allgemeines**

Stromversorgung : Siehe Rückseite

Abmessungen und Gewicht :

Abmessungen (cm)			Gewicht (kg)
Breite	Höhe	Tiefe	
43,5	11,7	30,0	6,3

Technische Änderungen vorbehalten.

## CARACTERISTIQUES TECHNIQUES

- Puissance de sortie : 80 watts par canal, min. RMS, les deux canaux entraînés à 8 ohms de 40 Hz à 20 kHz, avec moins de 0,05% de distorsion harmonique totale. (Etats-Unis et Canada seulement)
- 85 watts par canal, min. RMS, alimentés par 8 ohms à 1 kHz, (DIN).
- Distorsion harmonique totale : 0,008% à 80 watts (1 KHz, 8 ohms)
- Largeur de gamme de puissance : 10 Hz – 30 kHz ('66 IHF 0,2%, 8 ohms, les deux canaux entraînés)
- Réponse en fréquence: 10 Hz – 60 kHz, +0,5, -3 dB (8 ohms)
- Bornes d'entrée
- Sensibilité d'entrée/impédance (1 kHz)
- PHONO : 2,5 mV/47 kohms
- TUNER : 160 mV/47 kohms
- CD/AUX, TAPE 1
- TAPE 2 ADAPTER : 160 mV/45 kohms
- Rapport signal/bruit
- PHONO : 70 dB ('66 IHF)
- TUNER : 97 dB ('66 IHF)
- CD/AUX, TAPE 1, TAPE 2 ADAPTER
- PHONO : 78 dB ('78 IHF, sortie d'enregistrement)
- TUNER, CD/AUX, TAPE 1, TAPE 2 ADAPTER : 74 dB ('78 IHF, sortie de haut-parleurs)
- Commandes de tonalité : TREBLE: +8 ± 1 dB -8 ± 1 dB BASS: +8 ± 1 dB -8 ± 1 dB (à 100 Hz)
- Commandes de contour : +6 dB (à 100 Hz) +6 dB (à 10 kHz)
- (Commande de volume à -30 dB)
- Déviations PHONO : ±0,5 dB
- RIAA : (20 Hz – 20 kHz)

### GENERALES

- Alimentation : Voir page arrière
- Dimensions et poids :

Dimensions (cm)			Poids (kg)
Largeur	Hauteur	Profondeur	
43,5	11,7	30,0	6,3

Présentation et caractéristiques modifiables sans préavis.

## TECHNISCHE GEGEVENS

- Uitgangsvermogen : 80 Watt per kanaal, min RMS, beide kanalen uitgestuurd over 8 Ohm, 40 Hz tot 20 kHz, minder dan 0,05% totale (alleen Verenigde Staten en Canada)
- 85 Watt per kanaal, min. RMS, over 8 Ohm, bij 1 kHz (DIN).
- Totale harmonische vervorming : 0,008% bij 80 Watt (1 kHz, 8 Ohm)
- Vermogensbandbreedte : 10 Hz – 30 kHz ('66 IHF 0,2%, 8 Ohm, beide kanalen uitgestuurd)
- Frekwentiebereik : 10 Hz – 60 kHz, +0,5 dB, -3 dB (8 Ohm)
- Ingangsaansluitingen
- Ingangsgevoeligheid/impedantie (1 kHz)
- PHONO : 2,5 mV/47 kOhm
- TUNER : 160 mV/47 kOhm
- CD/AUX, TAPE 1
- TAPE 2 ADAPTER : 160 mV/45 kOhm
- Signaal/ruisverhouding
- PHONO : 70 dB ('66 IHF)
- TUNER : 97 dB ('66 IHF)
- CD/AUX, TAPE 1, TAPE 2 ADAPTER
- PHONO : 78 dB ('78 IHF, Rec Out)
- TUNER, CD/AUX, TAPE 1, TAPE 2 ADAPTER : 74 dB ('78 IHF, Speaker Out)
- Toonregelaars : TREBLE: +8 ± 1 dB -8 ± 1 dB (bij 10 kHz) BASS: +8 ± 1 dB -8 ± 1 dB (bij 100 Hz)
- Contourregeling (volumeregelaar in -30 dB stand) : +4 dB (bij 10 kHz)
- PHONO RIAA : ±0,5 dB
- afwijking : (20 Hz – 20 kHz)

### ALGEMEEN

- Voeding : zie achterpagina
- Afmetingen en gewicht :

Afmetingen (cm)			Gewicht (kg)
Breedte	Hoogte	Diepte	
43,5	11,7	30,0	6,3

Wijzigingen in ontwerp en technische gegevens voorbehouden.

## ESPECIFICACIONES

- Potencia de salida : 80 vatios por canal min. RMS, ambos canales activados en 8 ohmios de 40 Hz a 20 kHz, con no más de 0,05% de distorsión armónica total. (Solamente EE.UU. y Canadá)
- 85 vatios por canal, min. RMS, en 8 ohmios a 1 kHz (DIN).
- Distorsión armónica total : 0,008% a 80 vatios (1 kHz, 8 ohmios)
- Ancho de banda de sonido : 10 Hz – 30 kHz ('66 IHF 0,2%, 8 ohmios ambos canales activados)
- Respuesta de frecuencia : 10 Hz – 60 kHz, +0,5, -3 dB (8 ohmios)
- Terminales de entrada
- Sensibilidad/Impedancia de entrada
- PHONO : 2,5 mV/47 kohmios
- TUNER : 160 mV/47 kohmios
- CD/AUX, TAPE 1
- TAPE 2 ADAPTER : 160 mV/45 kohmios
- Relación señal-a-ruido:
- PHONO : 70 dB ('66 IHF)
- TUNER : 97 dB ('66 IHF)
- CD/AUX, TAPE 1, TAPE 2 ADAPTER
- PHONO : 78 dB ('78 IHF, salida de grabación)
- TUNER : 74 dB ('78 IHF, salida de altavoces)
- CD/AUX, TAPE 1, TAPE 2 ADAPTER
- Controles de tono : TREBLE: +8 ± 1 dB -8 ± 1 dB (a 10 kHz) BASS: +8 ± 1 dB -8 ± 1 dB (a 100 Hz)
- Controles de intensidad : +6 dB (a 100 Hz)
- (Control de volumen en la posición -30dB) : +4 dB (a 10 kHz)
- Desviación PHONO : ±0,5 dB
- RIAA : (20 Hz – 20 kHz)

### GENERALIDADES

- Alimentación : Vea la contratapa
- Dimensiones y peso :

Dimensiones (cm)			Peso (kg)
Ancho	Alto	Profundidad	
43,5	11,7	30,0	6,3

El diseño y las especificaciones están sujetos a cambios sin previo aviso.

**POWER SPECIFICATIONS**

Areas	Line Voltage & Frequency	Power Consumption
Continental Europe	AC 220 V ~, 50 Hz	170 watts
U.K.	AC 240 V ~, 50 Hz	170 watts
Australia		
Other areas	AC 110/120/220/240 V ~selectable, 50/60 Hz	170 watts

**SPANNUNGSVERSORGUNG**

Länder	Netzspannung und Frequenz	Leistungsaufnahme
Kontinental-Europa	Netz 220 V ~, 50 Hz	170 Watt
Großbritannien	Netz 240 V ~, 50 Hz	170 Watt
Australien		
Andere Länder	Netz 110/120/220/240 V ~umschaltbar, 50/60 Hz	170 Watt

**CARACTERISTIQUES TECHNIQUES D'ALIMENTATION**

Pays	Tensions de ligne et fréquence	Consommation
Europe Continentale	CA 220 V ~, 50 Hz	170 watts
Royaume-Uni	CA 240 V ~, 50 Hz	170 watts
Australie		
Autres pays	CA 110/120/220/240 V ~sélectionnable, 50/60 Hz	170 watts

**SPANNINGSVEREISTEN**

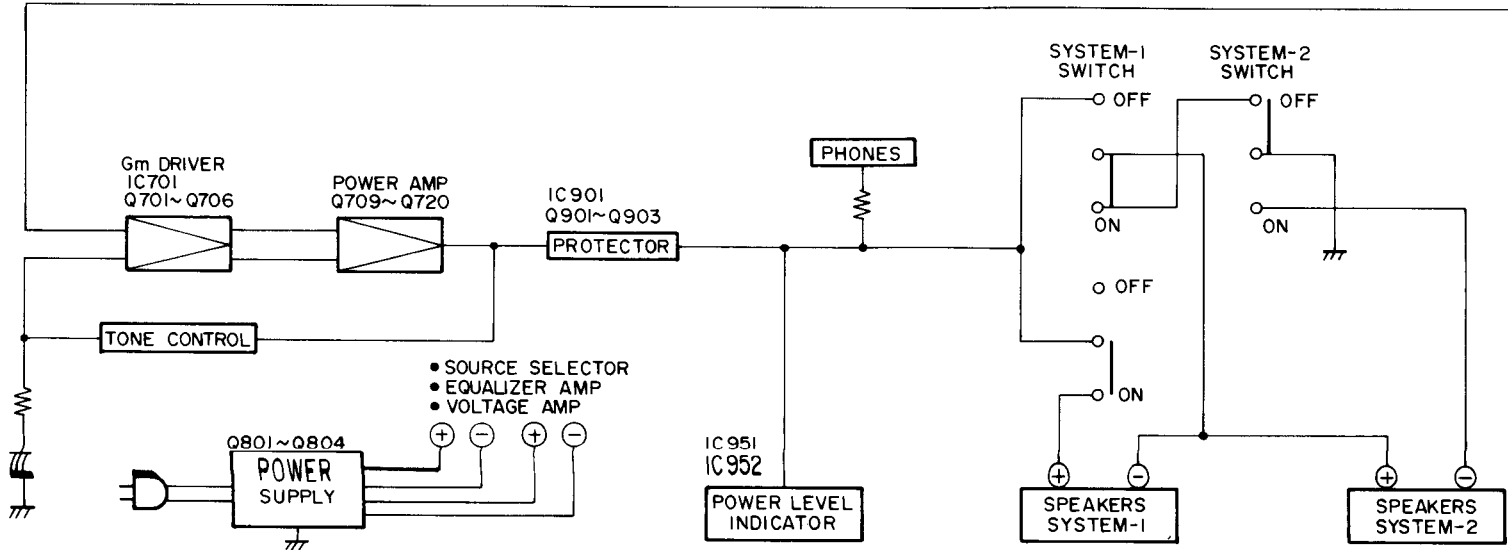
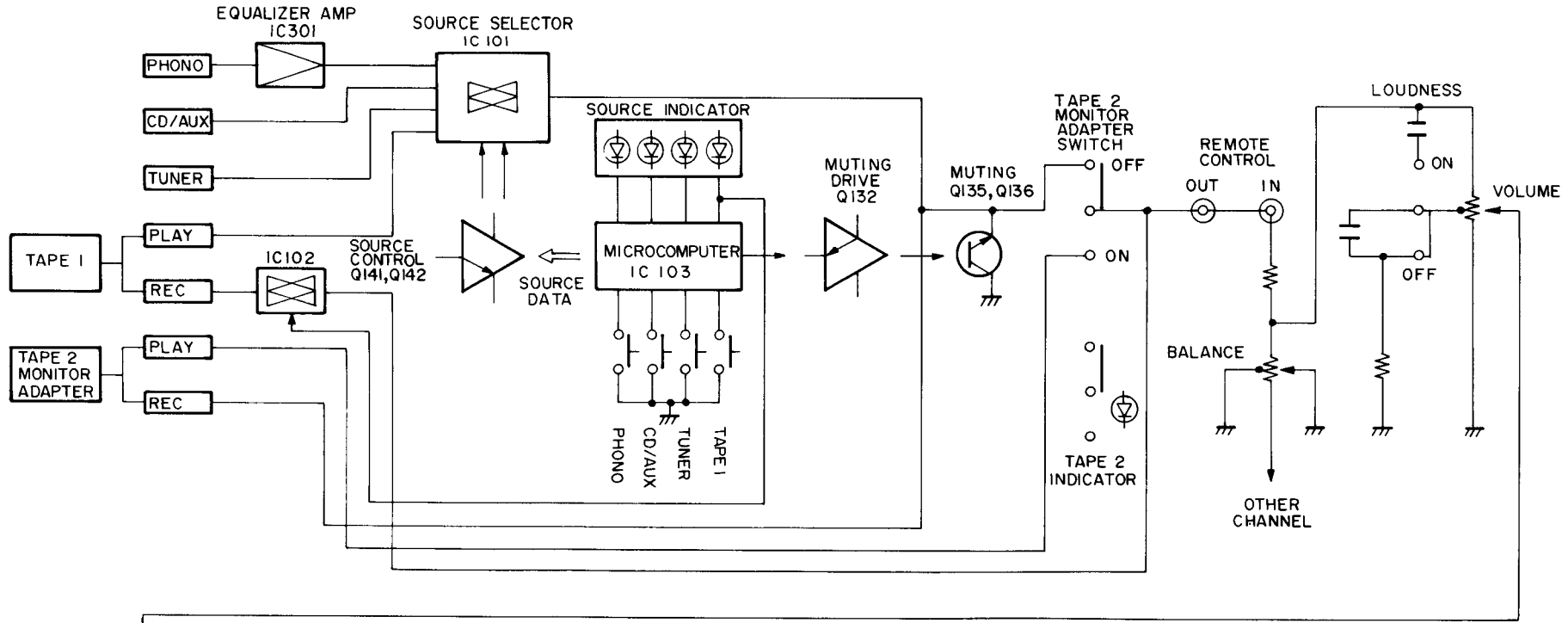
Gebieden	Netspanning en frekwentie	Stroomverbruik
Europese vasteland	220 V ~ wisselstroom, 50 Hz	170 Watt
Engeland	240 V ~ wisselstroom, 50 Hz	170 Watt
Australië		
Andere gebieden	110/120/220/240 V ~ wisselstroom instelbaar, 50/60 Hz	170 Watt

**ESPECIFICACIONES DE ALIMENTACION**

Países	Voltaje y frecuencia	Alimentación
Europa Continental	CA 220 V ~, 50 Hz	170 vatios
Reino Unido	CA 240 V ~, 50 Hz	170 vatios
Australia		
Otros países	CA 110/120/220/240 V ~seleccionable, 50/60 Hz	170 vatios

**JVC**  
VICTOR COMPANY OF JAPAN, LIMITED

# Block Diagram



## Removal and Reassembly Procedures

### ■ Removal of the Main P.C. Board

1. Remove the metal cover.
2. Remove screws ① ~ ④ on the bracket of P.C. board. (Fig. 2)

**Note:** If screws ③ and ④ can not be easily removed, loosen the power transformer fixing screws and then slightly move the power transformer.

3. Pull out the main P.C. board in the direction of arrow as shown in Fig. 3.

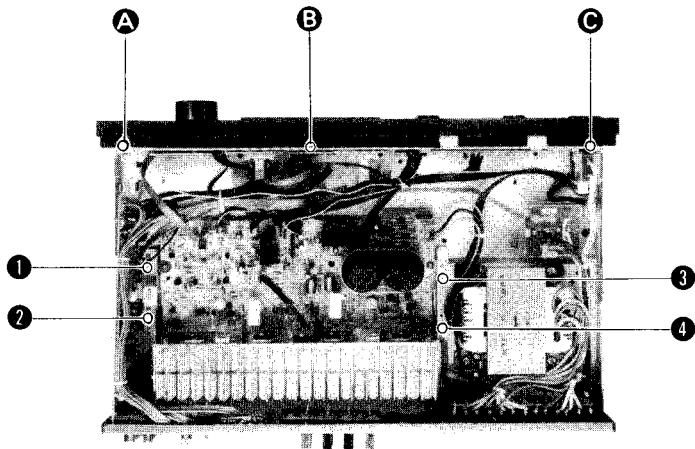


Fig. 2

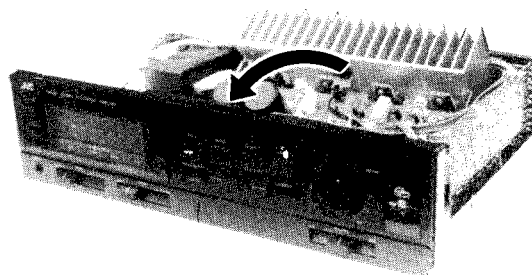


Fig. 3

### ■ Removal of the Front Panel

1. Remove plastic rivets A ~ C on the upper part of front panel shown in Fig. 2.
2. Remove screws D ~ F on the bottom side shown in Fig. 4.

3. Extract each knob for BASS, TREBLE, BALANCE and VOLUME.

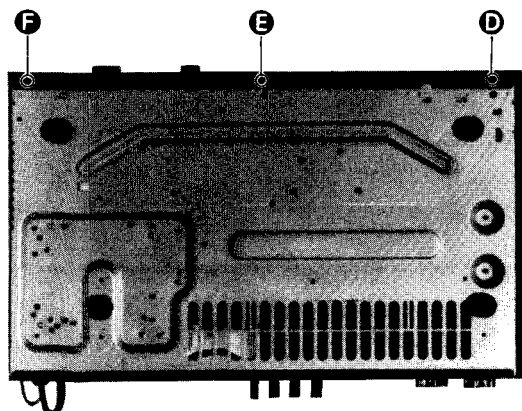
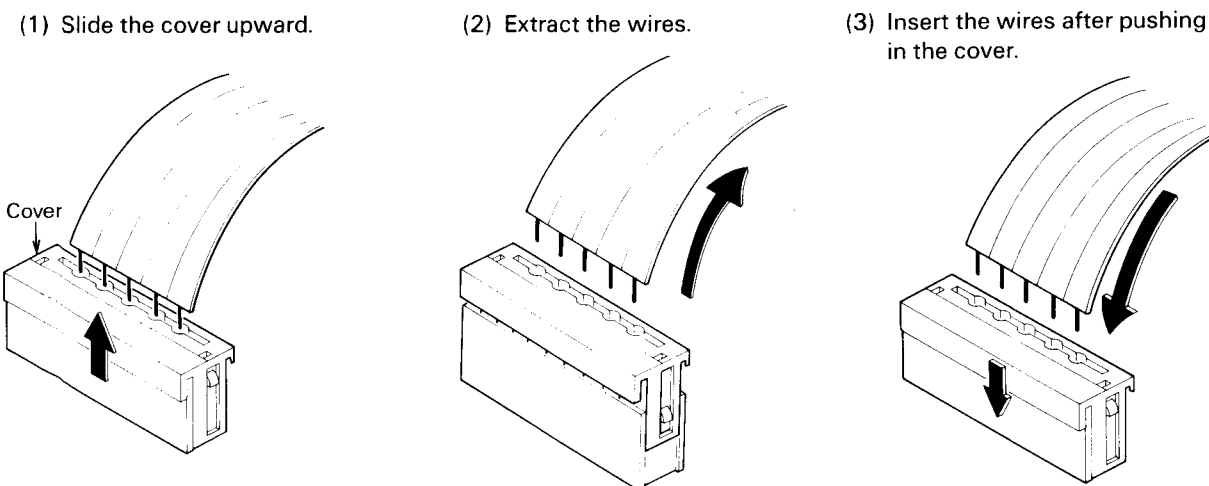


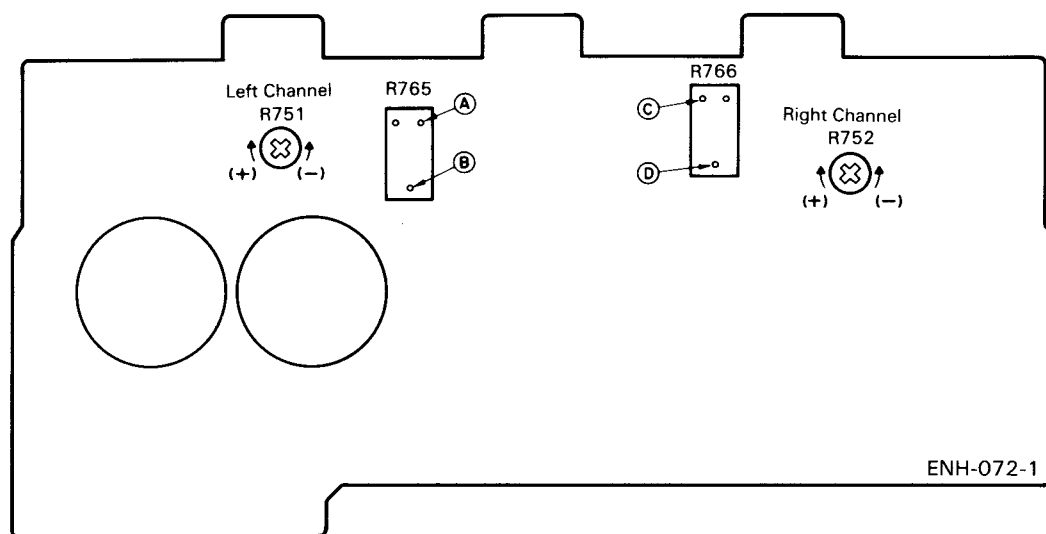
Fig. 4



■ Use of New-type Connector



Adjustment Procedures



■ Power Amplifier Idling Current Adjustment

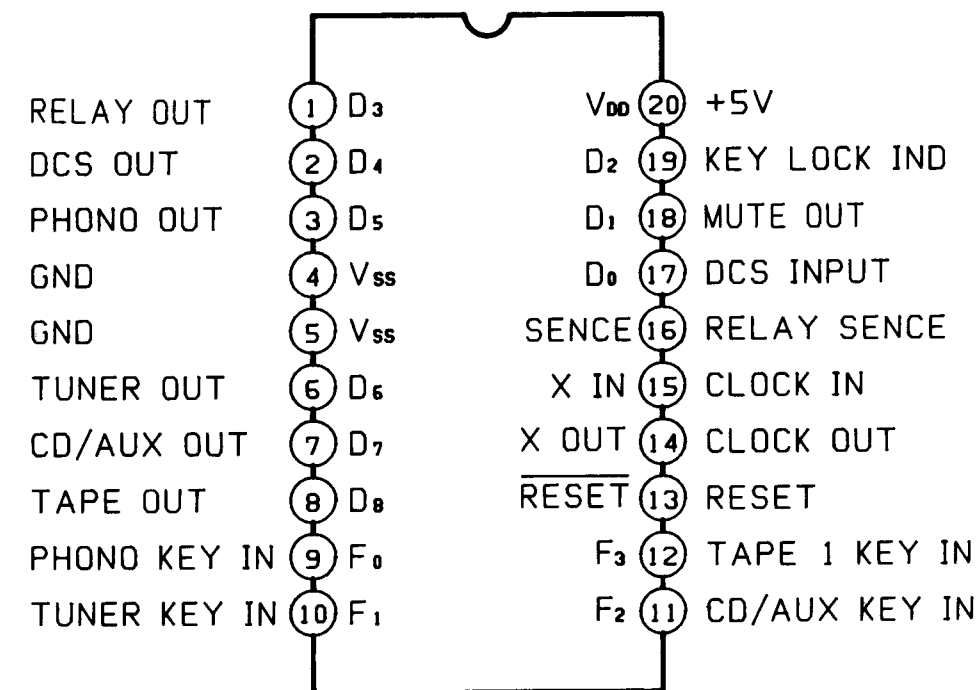
Note: [ ]; Except for U.K., Continental Europe and Australia

Fig. 6

- Before turning on the power, turn the semi-fixed resistors (R751 for L channel and R752 for R channel) of the power amplifier circuit board fully counterclockwise.
- Adjust the semi-fixed resistors (R751 and R752) so that the voltage at the following test points of the power amplifier circuit board is within a range of 0.5 ~ 1.0 mV [1.1 ~ 1.6 mV] after the power is turned on.  
L channel: Measure the voltage between test point A (emitter of Q717) and output at the test point B.  
R channel: Measure the voltage between test point C (emitter of Q718) and output at the test point D.
- Readjust resistors R751 and R752 about 5 minutes after the power is turned on (the heatsink temperature must be sufficiently high) so that the voltage at the test points becomes 2.3 mV. Confirm that the voltage does not vary when the heatsink temperature increases further.  
**Note:** Be sure to perform the measurement with the probes and cabinet of the measuring equipment separated from the grounding terminals of AX-33BK or other measuring equipment.

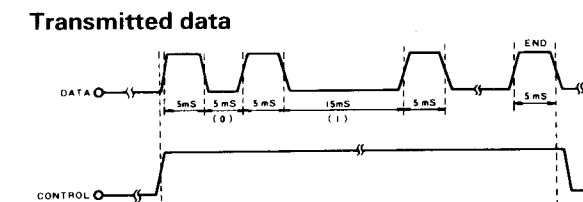
Guidance to Repairing

■ IC103 (M50761-304P) Pin Functions

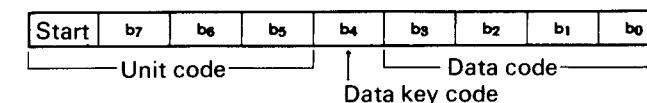


■ Data Transmission Method

The SYNCHRO terminal, connected via the common bus line to the other equipment, handles two-way data exchange by following data transmission method.



1-word/1-command structure



- b<sub>4</sub> = 0 Operation code
- b<sub>4</sub> = 1 Station number or tune number code (not used in this model)

■ Signal Code List

- Code list 1 : b<sub>4</sub> = 0 (OP = Optional)
- (A) DECK

Hexadecimal	Data code				Function	Key input with same meaning
0	0	0	0	0	—	—
1	0	0	0	1	PLAY status set	PLAY
2	0	0	1	0	STOP status set ["STOP (I)" signal]	STOP
6	0	1	1	0	REC PLUSE set after 4-sec, REC MUTE	REC MUTE PAUSE
9	1	0	0	0	REC PLAY status set	REC · PLAY
E	1	1	1	0	STOP status set only during PLAY	— "STOP (II)" signal

(B) TURNTABLE

Hexadecimal	Data code				Function	Key input with same meaning
6	0	1	1	0	Tonearm returns to arm rest and turntable STOP status set	— (ALL STOP)
7	0	1	1	1	"START"	—
9	1	0	0	1	Deck saves recording-discontinued signal	— (NON REC)
A	1	0	1	0	Saves the signal when the deck enters from the mode other than rec to REC PAUSE mode.	— (REC · PAUSE)

(C) AMPLIFIER

Hexadecimal	Data code				Function	Key input with same meaning
0	0	0	0	0	—	—
1	0	0	0	1	SOURCE switched to PHONO	—
3	0	0	1	1	SOURCE switched to CD/AUX	CD/AUX
4	0	1	0	0	SOURCE switched to TAPE 1	TAPE 1
9	1	0	0	0	— Edit-recording start signal	—
A	1	0	1	0	SOURCE returned to previous setting [REC (SOURCE)]	— "REC (SOURCE)"

(D) TUNER

Hexadecimal	Data code				Function	Key input with same meaning
0	0	0	0	0	Cancellation of audio muting of TUNER	—

(E) CD PLAYER

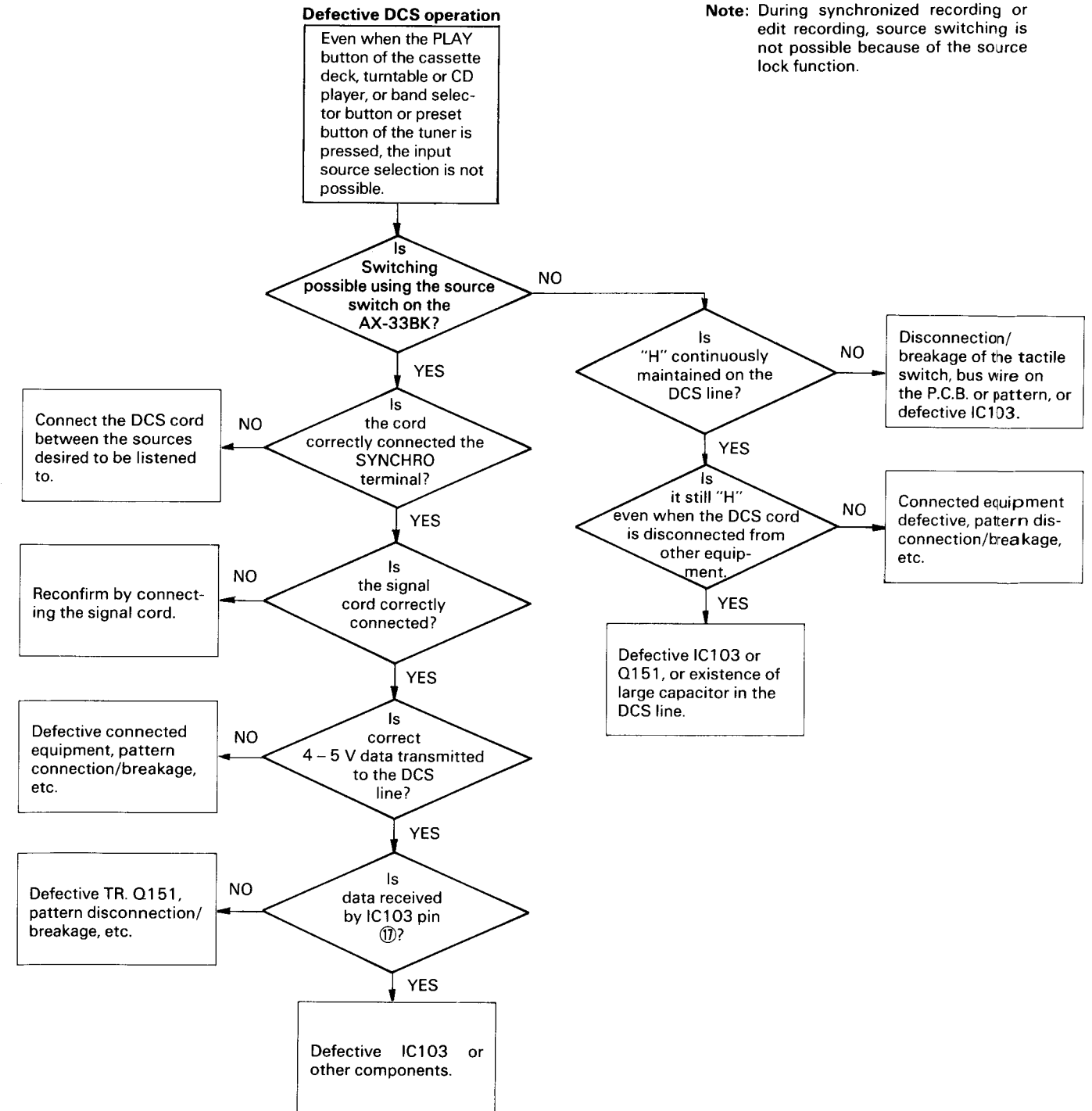
Hexadecimal	Data code				Function	Key input with same meaning
1	0	0	0	1	PLAY status set	—

● Code list

	Unit code				
0	0	0	0	0	—
1	0	0	0	1	DECK
2	0	1	0	0	CD PLAYER
4	1	0	0	0	TURNTABLE
5	1	0	1	1	AMPLIFIER
8	1	1	0	0	TUNER

As the SYNCHRO terminal uses a common bus line with all equipment as shown in the tables above, the order of connection of equipment poses no problem. The SYNCHRO terminal is not connected to GROUND; because of this, DCS does not function when signal codes are not continuously transmitted between the equipment.

■ Troubleshooting

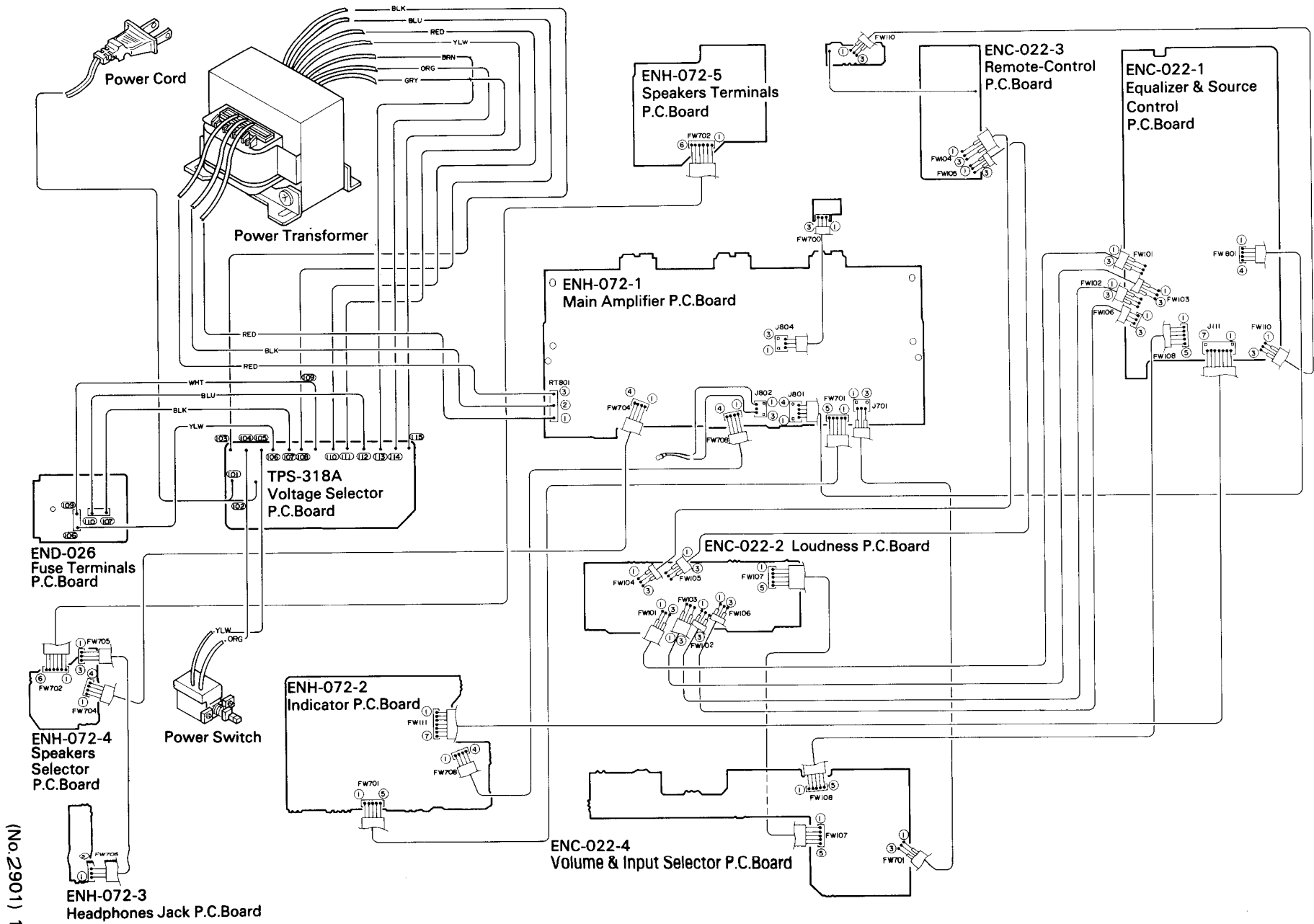


When DCS is defective as shown in the above example, check if signals are output on the DCS data line.

**(Simplified check method)**

Apply probes of the tester (for voltage measurement) between the SYNCHRO terminal and the ground, and press the button of the equipment to be checked then check if the tester needle moves with a momentary shaking motion.

# Connection Diagram



AX-33BK

**JVC**

VICTOR COMPANY OF JAPAN, LIMITED  
STEREO DIVISION, YAMATO PLANT, 1644, SHIMOTSURUMA, YAMATO-SHI, KANAGAWA-KEN, 242, JAPAN

(No. 2901)



Printed in  
6102G

# Schematic Diagram

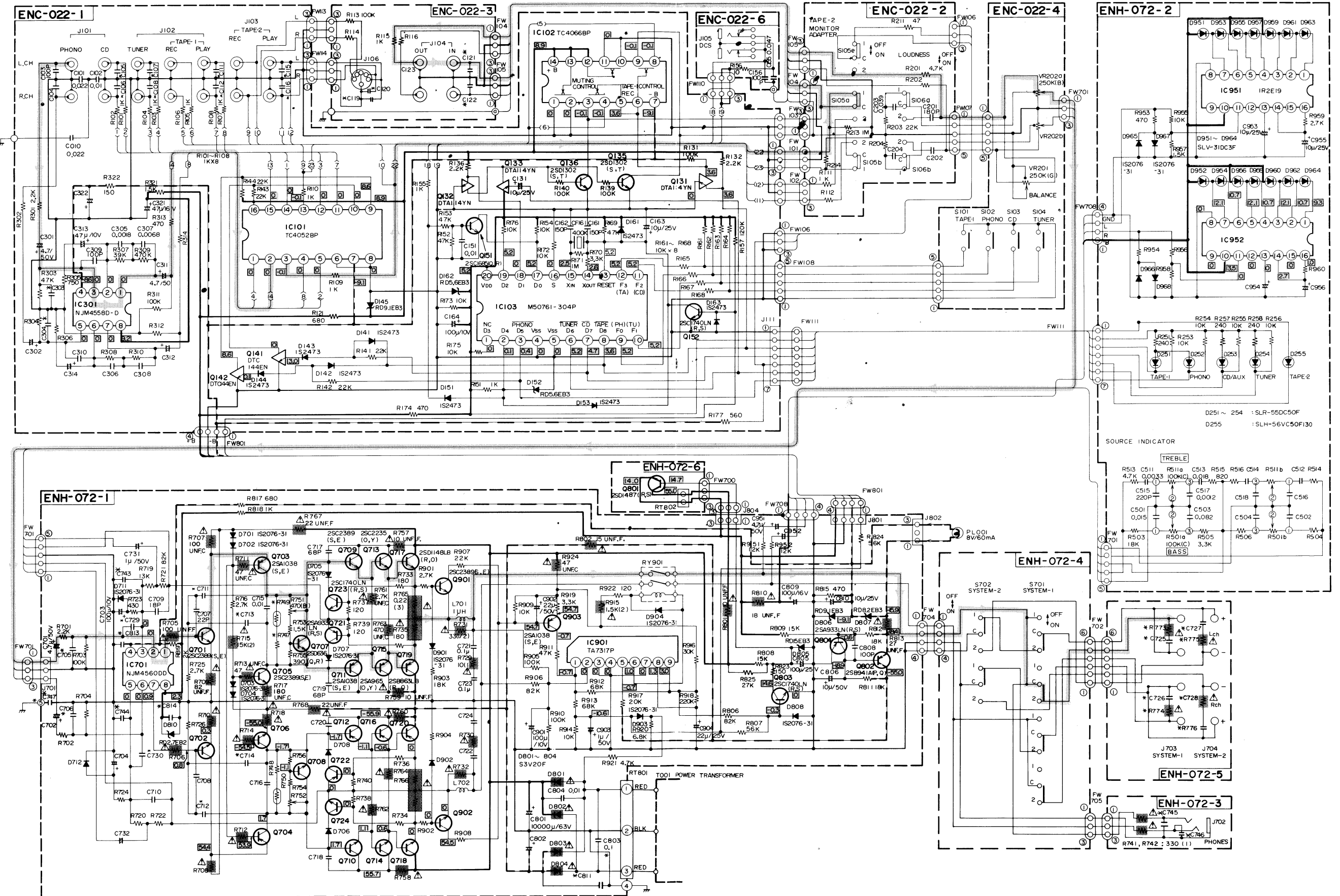
## AX-33BK Amplifier Section

### Notes:

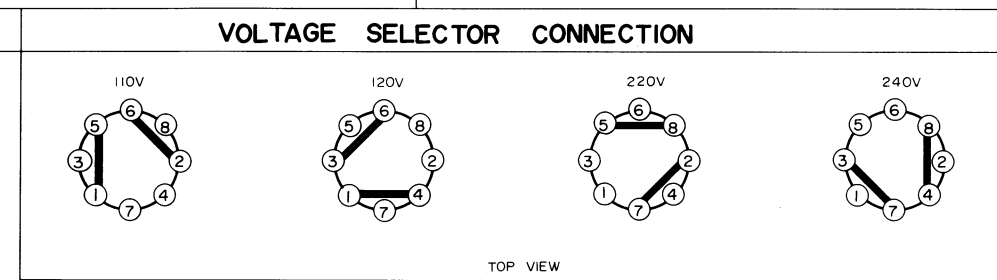
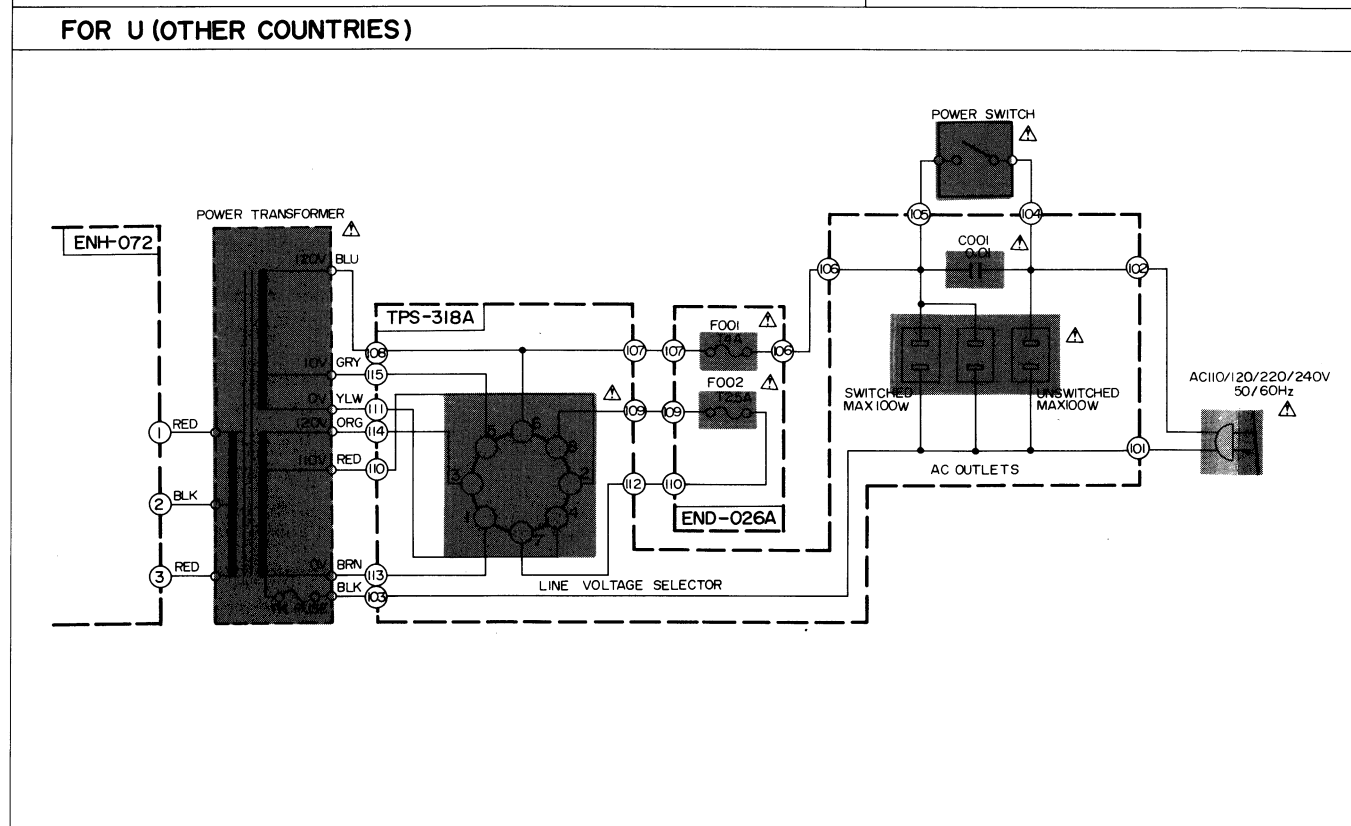
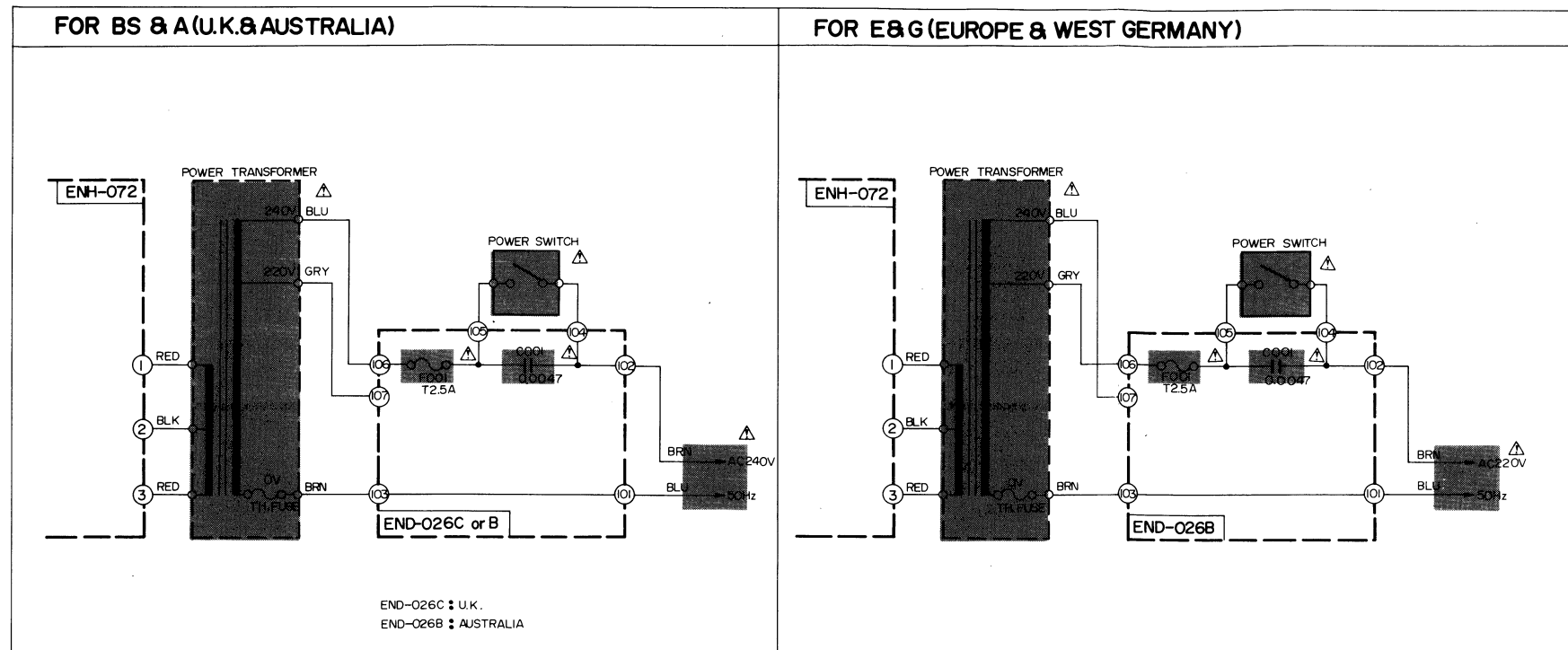
- 1. — indicates positive B power supply.
- 2. - - - indicates negative B power supply.
- 3. ■ indicates signal path.

- 4. ■ shows DC voltage to the chassis with no signal input.
- 5. When replacing the parts in the darkened area (■) and those marked with Δ, be sure to use the designated parts to ensure safety.

- 6. This is the standard circuit diagram. The design and contents are subject to change without notice.



■ AX-33BK Power Supply Section



\* MARKED PARTS

	C729, 730	C711-714	R747, 748	R749, 750	C811	R773-776	C725-728	C303, 304	C105, 106	C107, 108	C111, 112	C115, 116	C119, 120
EUROPE & U.K.	47P	68P	1.5K	ERT-D2WHL202S	NONE	NONE	NONE	100P	NONE	NONE	NONE	NONE	NONE
WEST GERMANY	150P	180P	1.5K	ERT-D2WHL202S	820P	10Ω UNF.C	0.01μ	390P	220P	220P	220P	220P	220P
OTHER COUNTRIES	47P	68P	NONE	NONE	NONE	NONE	NONE	100P	NONE	NONE	NONE	NONE	NONE

	C121, 122	C705, 706	C743, 744	C745, 746	C813, 814	④ GND	⑤ GND	C747
EUROPE & U.K.	NONE	100P	NONE	NONE	0.022	OPEN	SHORT	SHORT
WEST GERMANY	82P	68P	68P	220P	NONE	SHORT	OPEN	0.01μF
OTHER COUNTRIES	NONE	100P	NONE	NONE	0.022	OPEN	SHORT	SHORT